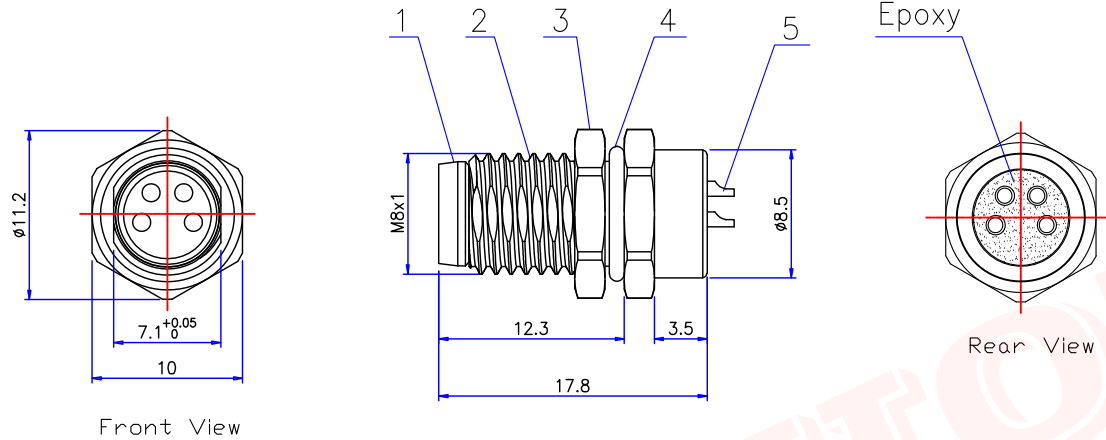




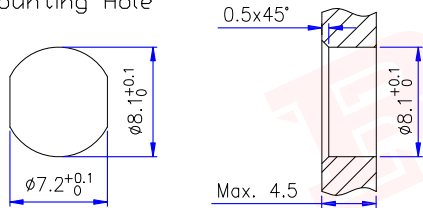
Product NO.		RHT-634-1300		
ISSUE	DESCRIPTION	DWN	DATE	APPROVEN
RI.0	First issue	Gavin	2019/12/17	JIM.KING



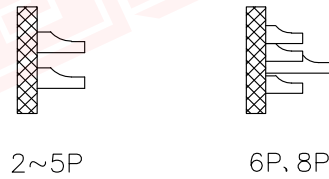
NOTES:

- Rated voltage/current: 3pin: 60V/3A
4pin: 60V/3A
5pin: 60V/3A
6, 8pin: 30V/1A
- Withstanding voltage: 3, 4pin: AC850V/1 Min
5, 6, 8pin: AC650V/1 Min
- Levels of protection: IP67
- Connection mode: Soldering
- Operating temperature: -20°C ~ +85°C
- RoHS Compliance

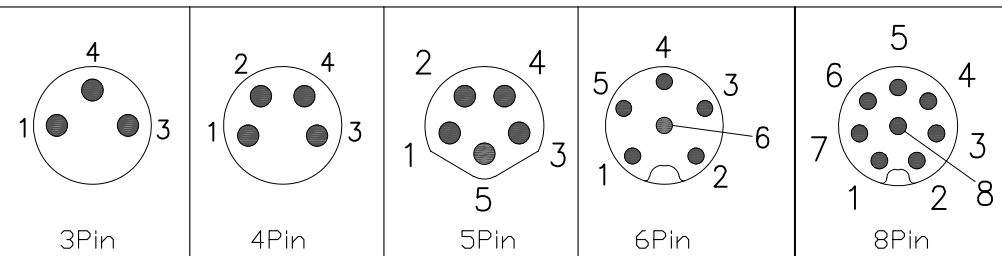
Recommended Mounting Hole



Pin height



Pin Assignments Front View



5	Contacts	Brass	Gold	3-8
4	O-Ring	Rubber		1
3	Nut M8*1	Brass	Nickel	1
2	Body	Brass	Nickel	1
1	Insulator	PA66	Black	1
NO	Description	Material	Finish	Qty

-TOLERANCES- UNLESS OTHERWISE SPECIFIED		RENHOTEC GROUP	
UNLESS OTHERWISE SPECIFIED TOLERANCES FOR MILLIMETERS ARE: 0.5 - 8mm ± 0.20mm 8 - 30mm ± 0.25mm 30 - 120mm ± 0.30mm		PART DESCRIPTION: Circular Panel Mount, Male, MS	
Appr: JIM.KING	P/N: RHT-634-1300	Date	Scale
Check:		Unit	Type
Draw: Gavin	2019. 12. 17	Free	MM
		Page	
			1/1