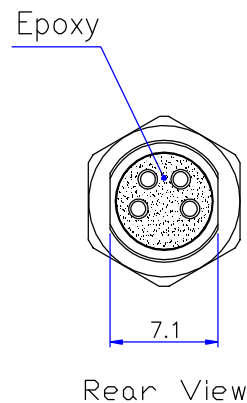
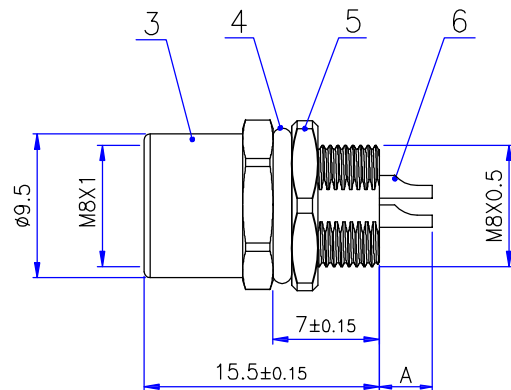
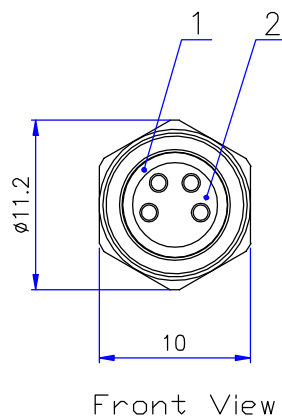




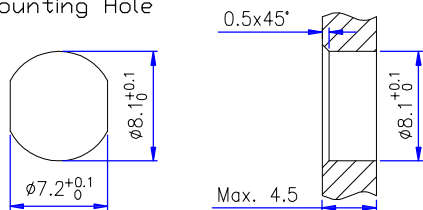
| | | | | |
|-------------|-------------|--------------|------------|-----------|
| Product NO. | | RHT-634-1298 | | |
| ISSUE | DESCRIPTION | DWN | DATE | APPROVEN |
| RI.0 | First issue | Gavin | 2019/12/17 | JIM. KING |



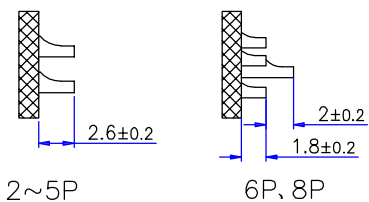
NOTES:

- Rated voltage/current: 3pin: 60V/3A
4pin: 60V/3A
5pin: 60V/3A
6,8pin: 30V/1A
- Withstanding voltage: 3,4pin: AC850V/1 Min
5,6,8pin: AC650V/1 Min
- Levels of protection: IP67
- Connection mode: Soldering
- Operating temperature: -20°C ~+85°C
- RoHS Compliance

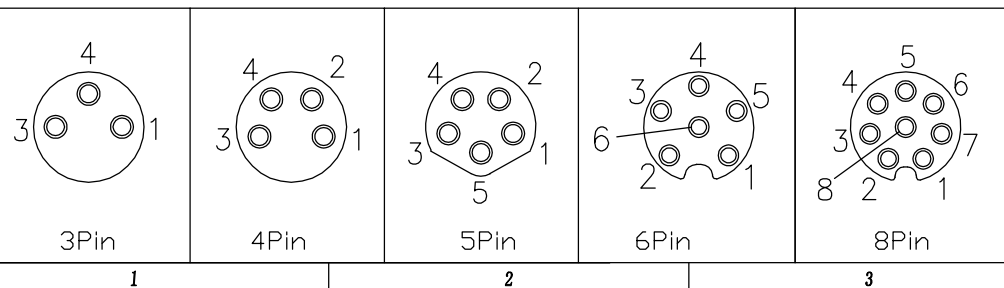
Recommended Mounting Hole



Pin height



Pin Assignments Front View



| | | | | |
|----|-------------|----------|--------|-----|
| 6 | Contacts | Brass | Gold | 3-8 |
| 5 | Nut M8*0.5 | Brass | Nickel | 1 |
| 4 | O-Ring | Rubber | | 1 |
| 3 | Body | Brass | Nickel | 1 |
| 2 | O-Ring | Rubber | | 1 |
| 1 | Insulator | PA66 | Black | 1 |
| NO | Description | Material | Finish | Qty |

| | | |
|---|---|-------------------|
| -TOLERANCES- UNLESS OTHERWISE SPECIFIED | RENHOTEC GROUP | |
| | PART DESCRIPTION: Circular Panel Mount, Female, M8, Back Mount | |
| UNLESS OTHERWISE SPECIFIED TOLERANCES FOR MILLIMETERS ARE: 0.5 - 8mm ± 0.20mm 8 - 30mm ± 0.25mm 30 - 120mm ± 0.30mm | Appr: JIM. KING | P/N: RHT-634-1298 |
| | Check: | Date: 2019.12.17 |
| | Draw: Gavin | Scale: Free |
| | Unit: MM | Type: Z |
| | Page: 1/1 | |