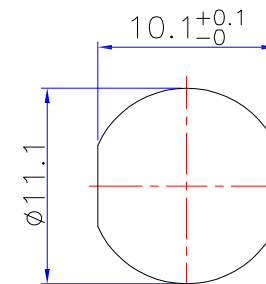




Product NO.		RHT-634-1201		
ISSUE	DESCRIPTION	DWN	DATE	APPROVEN
R1.0	First issue	Gavin	2019/01/07	JIM. KING
R2.0	16MM changed to 16.5MM 6MM changed to 5.5MM	Gavin	2021/08/26	JIM. KING

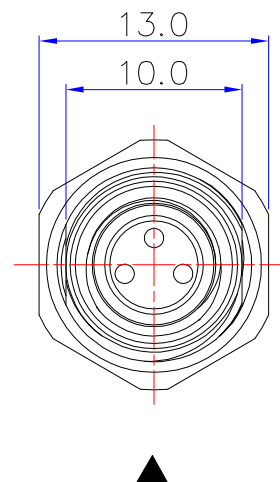
Coded	A	B
型号		



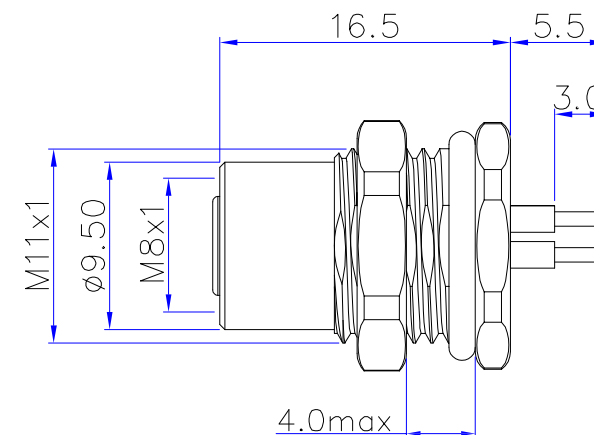
▲ PANEL CUTOUT

系列/Series	303	304	305	306	308
Pin 排列/Pin Assignment PCB 孔位/PCB Layout (Front View)					
导体直径/Pin size	1.0mm	1.0mm	1.0mm	0.7mm	0.6mm
额定电流/Rated current	3A	3A	3A	1A	1A
额定电压/Rated voltage	60V	30V	30V	30V	30V

▲ "Insulator key



▲



- 寿命/Durability: >1000 mate/unmate cycles
- Pin接触电阻/ Pin Contact Resistance: ≤10 mΩ
- 绝缘电阻/Insulation Resistance: ≥ 100 MΩ
- 温度等级/Rated Temperature: -25°C,+80°C
- 盐雾/Corrosion Resistance: Salt spray test,>48h
- 防水等级/Waterproof: IP67

5	六角螺母/Hexagonal nut: 黄铜镀镍/Brass,Nickel plated
4	母针芯/PIN: 磷铜镀金/Phosphor copper, G/F
3	外壳/Outer Shell: 黄铜镀镍/Brass,Nickel plated
2	密封圈/O-RING: Rubber
1	绝缘体/Insulator: PA BLACK

-TOLERANCES- UNLESS OTHERWISE SPECIFIED	RENHOTEC www.renhotec.com		RENHOTEC GROUP			
	PART DESCRIPTION: M8 FEMALE FOR PCB CONNECTOR		P/N: RHT-634-1201			
UNLESS OTHERWISE SPECIFIED TOLERANCES FOR MILLIMETERS ARE: 0.5 - 8mm ± 0.15mm 8 - 30mm ± 0.20mm 30 - 120mm ± 0.30mm	Appr: JIM. KING	Date	Scale	Unit	Type	Page
	Check: Gavin	2021.08.26	Free	MM	Z	1/1