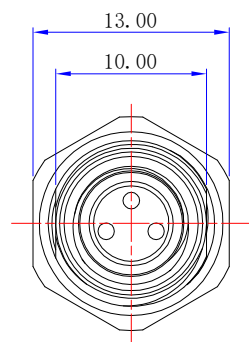
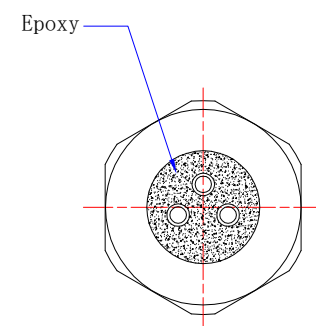
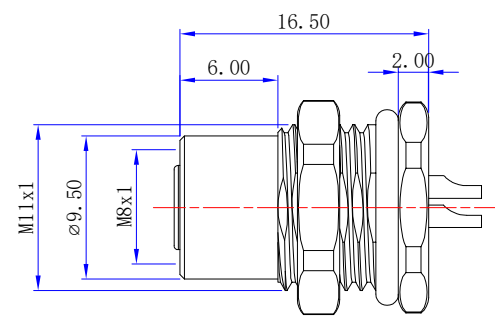




Product NO.		RHT-634-1421		
ISSUE	DESCRIPTION	DWN	DATE	APPROVEN
RI.0	First issue	Gavin	2021/07/01	JIM.KING



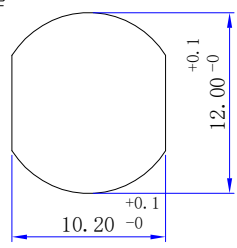
Front View



Rear View

- NOTES:
- Rated voltage/current: 3pin: 60V/3A
4pin: 60V/3A
5pin: 60V/3A
6, 8pin: 30V/1A
 - Withstanding voltage: 3, 4pin: AC850V/1 Min
5, 6, 8pin: AC650V/1 Min
 - Levels of protection: IP67
 - Connection mode: Soldering
 - Operating temperature: -20°C ~+85°C
 - RoHS Compliance

Recommended Mounting Hole



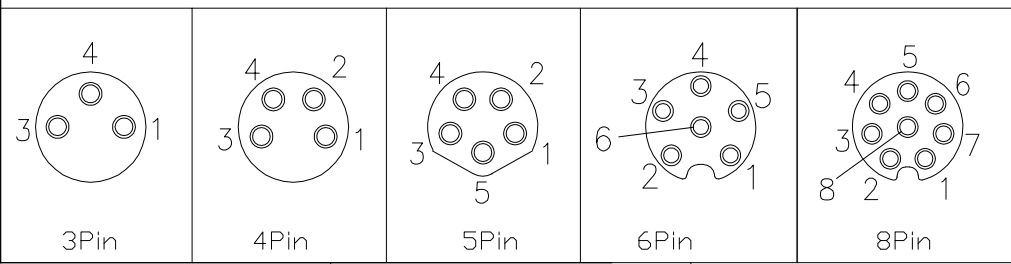
Pin height



2~5P

6P, 8P

Pin Assignments Front View



6	Contacts	Brass	Gold	3-8
5	Nut M8*0.5	Brass	Nickel	1
4	O-Ring	Rubber		1
3	Body	Brass	Nickel	1
2	O-Ring	Rubber		1
1	Insulator	PA66	Black	1
NO	Description	Material	Finish	Qty

-TOLERANCES- UNLESS OTHERWISE SPECIFIED	RENHOTEC GROUP	
	PART DESCRIPTION: Circular Panel Mount, Female, M8	
UNLESS OTHERWISE SPECIFIED TOLERANCES FOR MILLIMETERS ARE: 0.5 - 8mm ± 0.20mm 8 - 30mm ± 0.25mm 30 - 120mm ± 0.30mm	Appr: JIM.KING	P/N: RHT-634-1421
	Check:	Date
	Draw: Gavin	2021.07.01
	Scale	Unit
	Type	Page
	Free	MM
	Z	1/1

A

B

C

D

E

1

2

3

4

5

6