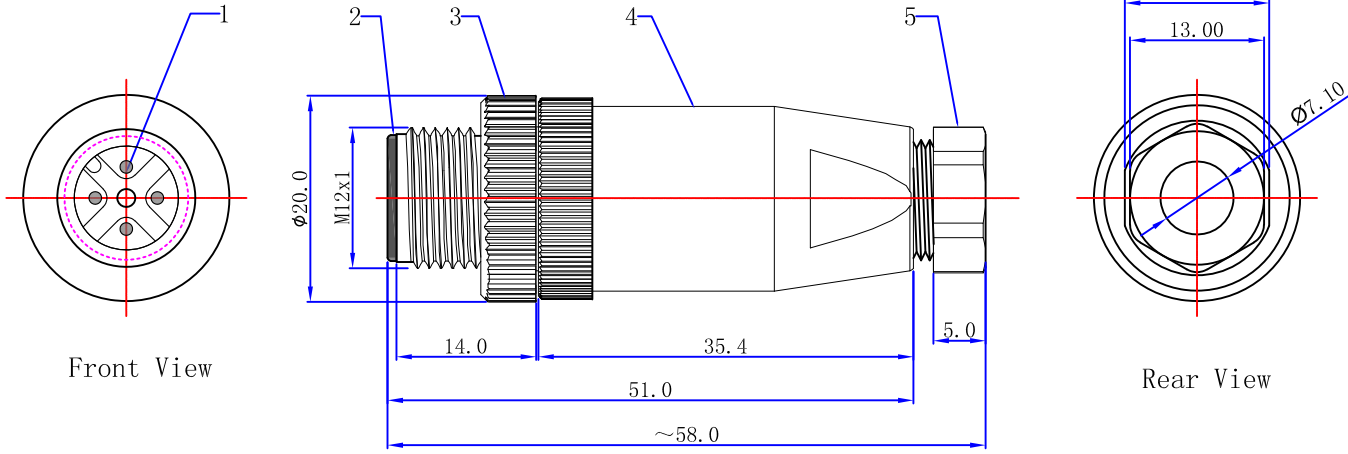


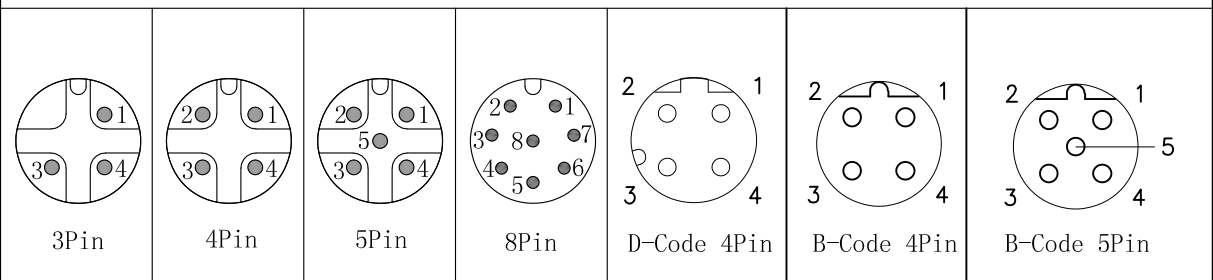


Product NO.		RHT-634-1318			
ISSUE	DESCRIPTION	DWN	DATE	APPROVEN	
R1.0	First issue	Gavin	2019/12/04	JIM. KING	



- NOTES:
- Rated voltage/current : 3pin: 250V/4A
4pin: 250V/4A
5pin: 60V/4A
8pin: 30V/2A
 - Withstanding voltage : 3, 4pin: AC1500V/1 Min
5pin: AC1120V/1 Min
8pin: AC500V/1 Min
 - Wire Range :
3pin: 24-20AWG/0.25~0.52mm²
4pin: 24-20AWG/0.25~0.52mm²
5pin: 24-20AWG/0.25~0.52mm²
8pin: 24-22AWG/0.25~0.34mm²
 - Cable Range: 4.0~6.5mm
 - Connection mode: Screw
 - Operating temperature: -40°C ~+80°C
 - RoHS Compliance

Pin Assignment Front View



5	Plastic Nut (PG7)	PA66	Black	1
4	Body	PA66	Black	1
3	Nut	Brass	Nickel	1
2	Insulator	PA66	Black	1
1	Contacts	Brass	Gold	3-8
NO	Description	Material	Finish	Qty

-TOLERANCES- UNLESS OTHERWISE SPECIFIED	RENHOTEC GROUP	
	NAME: M12 Connector, Male, ASS' Y Type	
UNLESS OTHERWISE SPECIFIED TOLERANCES FOR MILLIMETERS ARE: 0.5 - 8mm ± 0.20mm 8 - 30mm ± 0.25mm 30 - 120mm ± 0.30mm	Appr: JIM. KING	P/N: RHT-634-1318
	Check:	Date: 2019.12.04
	Draw: Gavin	Scale: Free
	Unit: MM	Type: Z
	Page: 1/1	