



1. NO. of contacts

Pin Number					
Pin Size	1.0mm	1.0mm	1.0mm	0.7mm	0.6mm
Rated Current	3A	3A	3A	1A	1A
PCB Layout (Front View)					

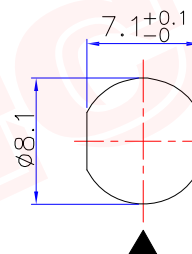
"▲" Insulator Key

Product NO.		RHT-634-1262		
ISSUE	DESCRIPTION	DWN	DATE	APPROVEN
A	First issue	Gavin	2019/05/28	JIM. KING

2. Insulator Coded

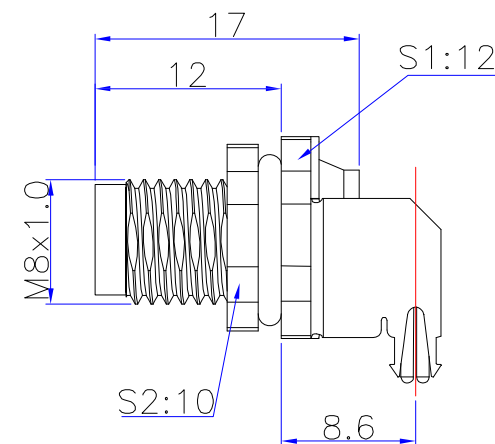
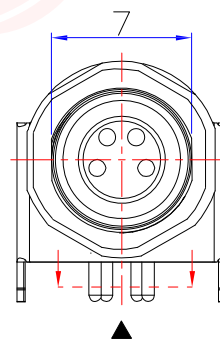
Coded	
A	
B	

4. RECOMMENDED PANEL CUT-OUT



3. Technical Characteristic:

- Durebility: >1000mate/unmate cycles
- Pin Contact Resistance: ≤10mΩ
- Insulation Resistance: ≥100mΩ
- Temperature Range: -25°C+80°C
- Corrosin Resistance: Salt spray test >48H
- Watproof: IP67



6	Shield Shell:Brass, Nickel Plated
5	Hexagonal Nut:Brass, Nickel Plated
4	Pin:Phosphor copper G/F
3	Outer Shell:Brass, Nickel Plated
2	O-Ring:Rubber
1	Insulator:PA, Black
NO	Name & Description

-TOLERANCES- UNLESS OTHERWISE SPECIFIED	RENHOTEC GROUP	
	PART DESCRIPTION: M8 MALE CONNECTOR	
UNLESS OTHERWISE SPECIFIED TOLERANCES FOR MILLIMETERS ARE: 0.5 - 8mm ± 0.20mm 8 - 30mm ± 0.25mm 30 - 120mm ± 0.30mm	Appr: JIM. KING	P/N: RHT-634-1262
	Check:	Date
	Draw: Gavin	2019. 05. 28
	Scale	Unit
	Type	Page
	Free	MM
	Z	1/1