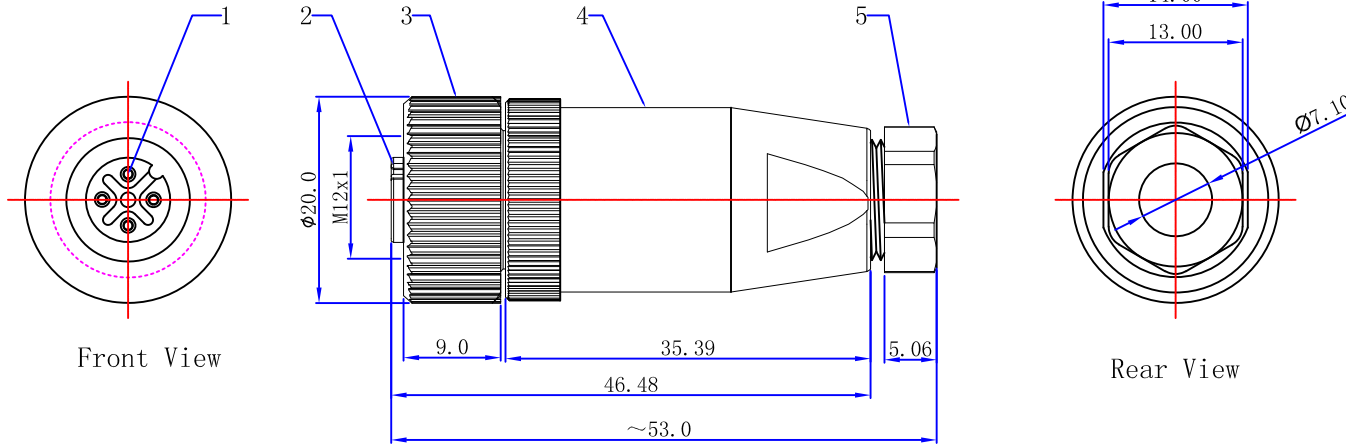


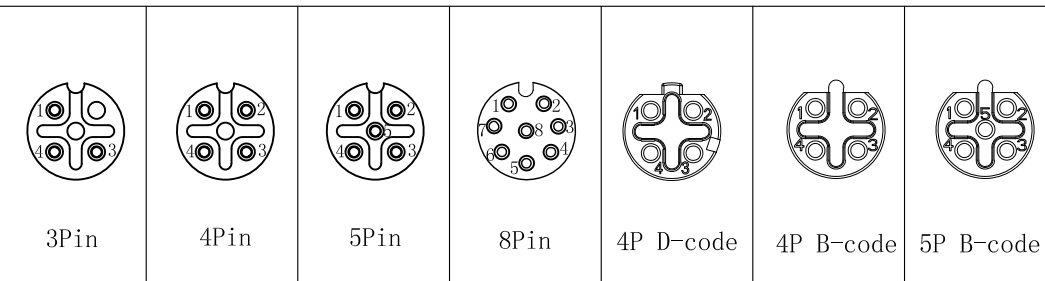
Product NO.		RHT-634-1315			
ISSUE	DESCRIPTION	DWN	DATE	APPROVEN	
R1.0	First issue	Gavin	2019/12/04	JIM. KING	



NOTES:

- Rated voltage/current : 3pin: 250V/4A  
4pin: 250V/4A  
5pin: 60V/4A  
8pin: 30V/2A
- Withstanding voltage : 3, 4pin: AC1500V/1 Min  
5pin: AC1120V/1 Min  
8pin: AC500V/1 Min
- Wire Range :  
3pin: 24-20AWG/0.25~0.52mm<sup>2</sup>  
4pin: 24-20AWG/0.25~0.52mm<sup>2</sup>  
5pin: 24-20AWG/0.25~0.52mm<sup>2</sup>  
8pin: 24-22AWG/0.25~0.34mm<sup>2</sup>
- Cable Range: 4.0~6.5mm
- Connection mode: Screw
- Operating temperature: -40°C ~+80°C
- RoHS Compliance

Pin Assingments Front View



5	Plastic Nut (PG7)	PA66	Black	1
4	Body	PA66	Black	1
3	Nut M12*1	Brass	Nickel	1
2	Insulator	PA66	Black	1
1	Contacts	Brass	Gold	3-8
NO	Description	Material	Finish	Qty

-TOLERANCES- UNLESS OTHERWISE SPECIFIED	<b>RENHOTEC GROUP</b>					
	NAME: M12 Connector, Female, ASS'Y Type					
UNLESS OTHERWISE SPECIFIED TOLERANCES FOR MILLIMETERS ARE: 0.5 - 8mm ± 0.20mm 8 - 30mm ± 0.25mm 30 - 120mm ± 0.30mm	Appr: JIM. KING	P/N: RHT-634-1315				
	Check:	Date	Scale	Unit	Type	Page
	Draw: Gavin	2019. 12. 04	Free	MM	Z	1/1