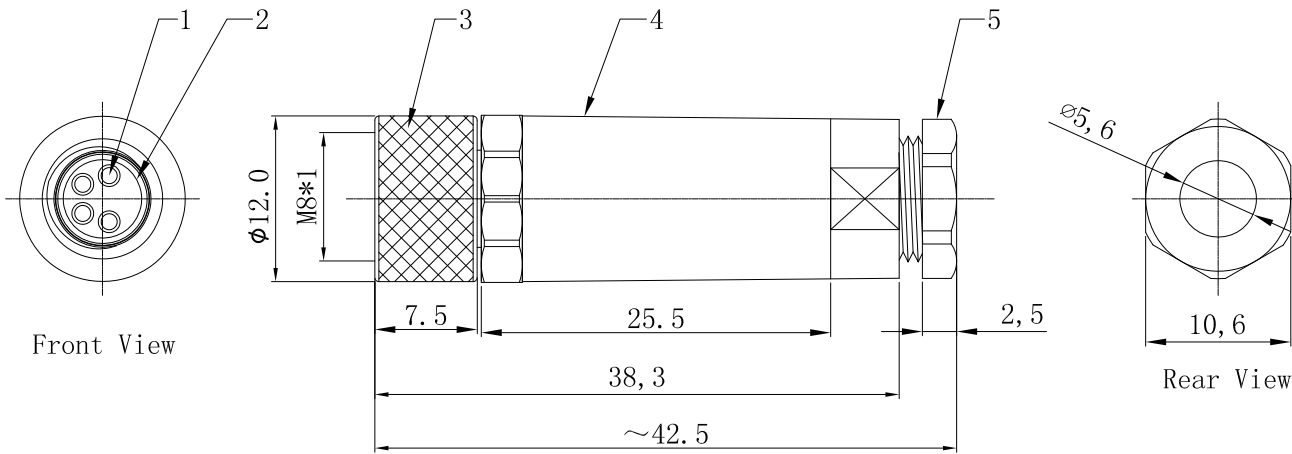




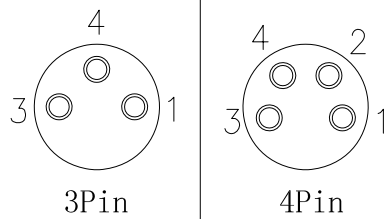
Product NO.		RHT-634-1317			
ISSUE	DESCRIPTION	DWN	DATE	APPROVEN	
R1.0	First issue	Gavin	2019/12/17	JIM. KING	

NOTES:

- Rated voltage/current : 3pin: 60V/3A
4pin: 60V/3A
- Withstanding voltage : 3,4pin: AC850V/1 Min
- Wire Range :
3pin: 24-22AWG/0.25~0.34mm²
4pin: 24-22AWG/0.25~0.34mm²
- Cable Range: 3.5~5.0mm
- Wire connection mode: Screw
- Operating temperature: -40°C ~ +85°C
- RoHS Compliance



Pin Assignment Front View



5	Plastic Nut	PA66	Black	1
4	Body	PA66	Black	1
3	Nut M8*1	Brass	Nickel	1
2	Insulator	PA66	Black	1
1	Contacts	Brass	Gold	3-4
NO	Description	Material	Finish	Qty

-TOLERANCES- UNLESS OTHERWISE SPECIFIED UNLESS OTHERWISE SPECIFIED TOLERANCES FOR MILLIMETERS ARE: 0.5 - 8mm ± 0.20mm 8 - 30mm ± 0.25mm 30 - 120mm ± 0.30mm	 www.renhotec.com		RENHOTEC GROUP					
	Appr: JIM. KING		PART DESCRIPTION: M8 Connector, Female, ASS'Y TYPE					
Draw: Gavin		P/N: RHT-634-1317		Date	Scale	Unit	Type	Page
		2019.12.17		Free	MM	Z		1/1