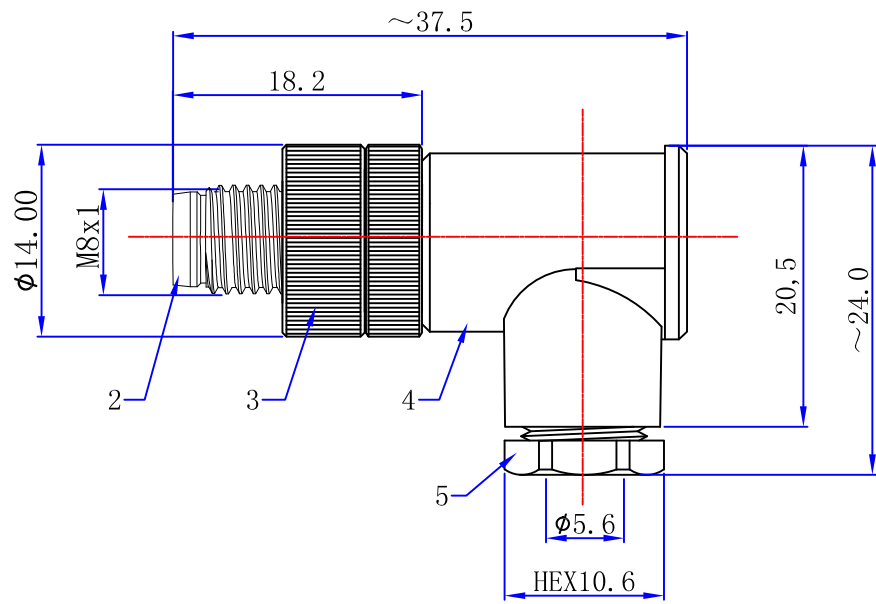
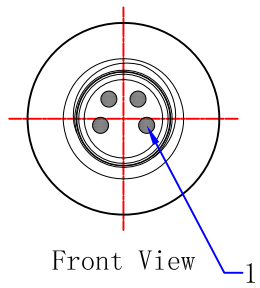


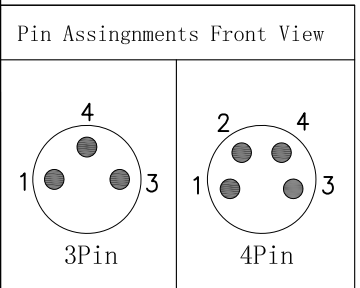


Product NO.		RHT-634-1354			
ISSUE	DESCRIPTION	DWN	DATE	APPROVEN	
R1.0	First issue	Gavin	2020/07/22	JIM. KING	



- NOTES:
- Rated voltage/current : 3pin: 60V/3A  
4pin: 60V/3A
  - Withstanding voltage : 3, 4pin: AC850V/1 Min
  - Wire Range :  
3pin: 24-22AWG/0.25~0.34mm<sup>2</sup>  
4pin: 24-22AWG/0.25~0.34mm<sup>2</sup>
  - Cable Range: 3.5~5.0mm
  - Wire connection mode: Screw
  - Operating temperature: -40°C ~ +85°C
  - RoHS Compliance

5	Plastic Nut	PA66	Black	1
4	Body	PA66	Black	1
3	Nut M8*1	Brass	Nickel	1
2	Insulator	PA66	Black	1
1	Contacts	Brass	Gold	3-4
NO	Description	Material	Finish	Qty



-TOLERANCES-  
UNLESS OTHERWISE  
SPECIFIED

UNLESS OTHERWISE SPECIFIED  
TOLERANCES FOR MILLIMETERS ARE:  
0.5 - 8mm ± 0.20mm  
8 - 30mm ± 0.20mm  
30 - 120mm ± 0.30mm

**仁昊伟业**  
RENHOTEC

**RENHOTEC GROUP**

PART DESCRIPTION:  
Circular Cable Connector, Male, M8, Angled

Appr: JIM. KING

Check: Date Scale Unit Type Page

Draw: Gavin 2020.07.22 Free MM Z 1/1

P/N: RHT-634-1354