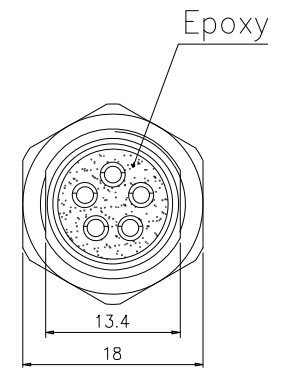
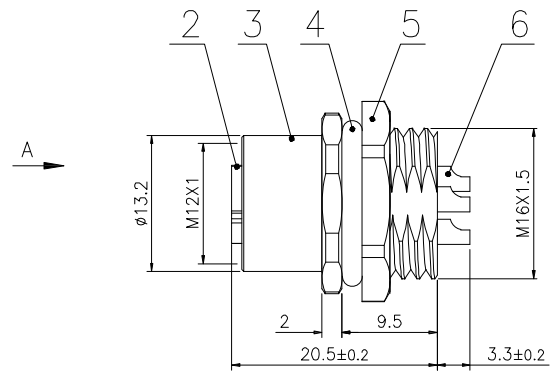
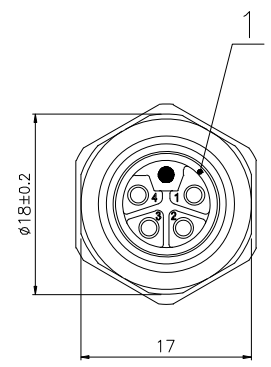
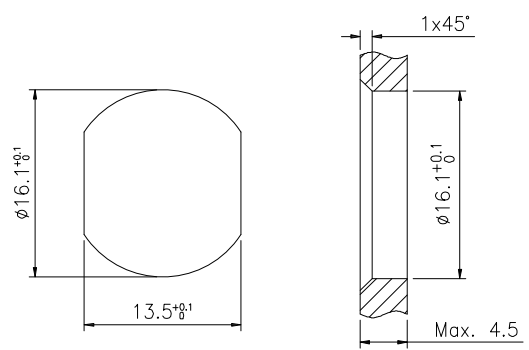


Product NO.		RHT-634-3306			
ISSUE	DESCRIPTION	DWN	DATE	APPROVEN	
R1.0	First issue	Ding	2022/11/10	JIM.KING	



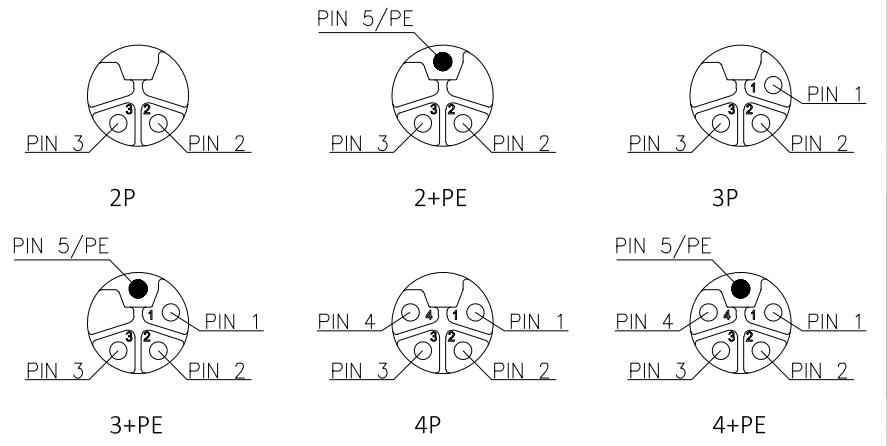
- Specifications:**
- 1.IP rating: IP67
  - 2.Ambient temperature: -25°C~+80°C
  - 3.Mating endurance: >500cycles
  - 4.Rated voltage: 63V AC/DC
  - 5.Rated current:16A
  - 6.Contact resistance: ≤5mΩ
  - 7.Insulation resistance: ≥ 100 MΩ



Panel Cut-out Dimensions

6	Contacts	Brass	Gold plated	pc	1
5	Nut	Brass	Nickel plated	pc	1
4	O-ring	Rubber	/	pc	1
3	Body	Brass	Nickel plated	pc	1
2	Connector insert	PA66	/	pc	1
1	O-ring	Rubber	/	pc	1
No.	Specification	Material	Treat	Unit	O'ty

Pin Assignment Front View



-TOLERANCES- UNLESS OTHERWISE SPECIFIED	<b>RENHOTEC GROUP</b>				
	PART DESCRIPTION: M12 L-Code female,Panel Mount,Rear fastened				
UNLESS OTHERWISE SPECIFIED TOLERANCES FOR MILLIMETERS ARE: 0.5 - 8mm ± 0.20mm 8 - 30mm ± 0.25mm 30 - 120mm ± 0.30mm	Appr: JIM.KING	P/N: RHT-634-3306			
	Check:	Date			
	Draw: DING	Scale	Unit		
		Type	Page		
	2022.11.10	Free	MM	Z	1/1