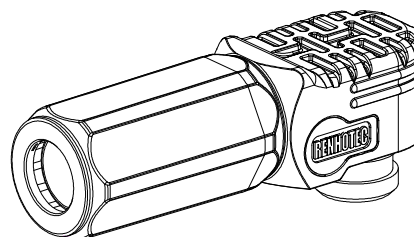
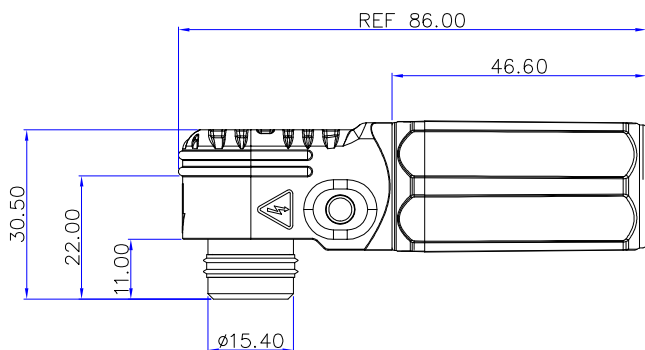
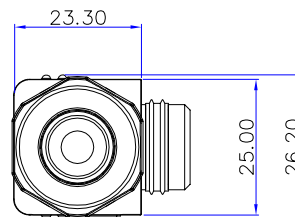
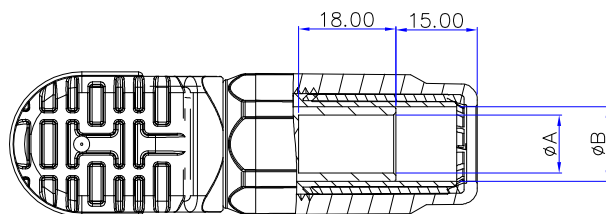


Product NO.		RHT-660-0062		
REV	DESCRIPTION	DWN	DATE	APPROVEN
A	First issue	Gavin	2021/07/26	JIM.KING




Electrical performance:  
 Rated voltage:1000V ac  
 Insulation voltage:3000VDC(1Min)  
 Temperature Rise:4hrs<20°C

Mechanical behavior:  
 Duribility:>2000 Cycles  
 M&F Holding F:>200N  
 Flame Retardant Grade:UL94-V0  
 Operating temperature:-40°C~125°C

A	B	Cable mm <sup>2</sup>	Rated Current
10.70	13.80	50	200
9.00	11.70	35	150
7.80	10.20	25	120

11	Insetion Sealing	Silicone		1
10	Flexcoils Touch-FAinger	C17200	Gold	3
9	Button Name	PA		1
8	Speing	Stainless Steel		1
7	Plastic Nut	PA		1
6	Plastic Button	PA		1
5	Cable Clamp	PA		1
4	Rubber Sesling	Silicone		1
3	O-Ring	Silicone		1
2	Socket	T2	Gold	1
1	Receptacle Shell	PA		1
NO	Description	Material	Finish	Qty

-TOLERANCES- UNLESS OTHERWISE SPECIFIED	 <a href="http://www.metabee.com">www.metabee.com</a>	
	PART DESCRIPTION: ø8.00mm 电缆25/35/50mm2 单芯插头	
UNLESS OTHERWISE SPECIFIED TOLERANCES FOR MILLIMETERS ARE: 0.5 - 8mm ± 0.20mm 8 - 30mm ± 0.25mm 30 - 120mm ± 0.30mm	Appd: JIM.KING	P/N: RHT-660-0062
	Check:	Date
Draw: Gavin	2021.07.26	Scale
	Free	Unit
	MM	Type
	Z	Page
	1/1	