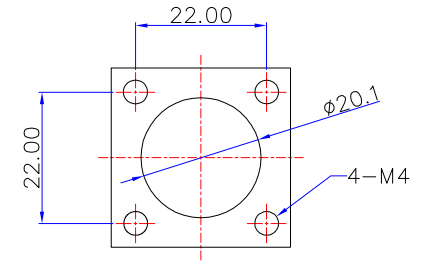
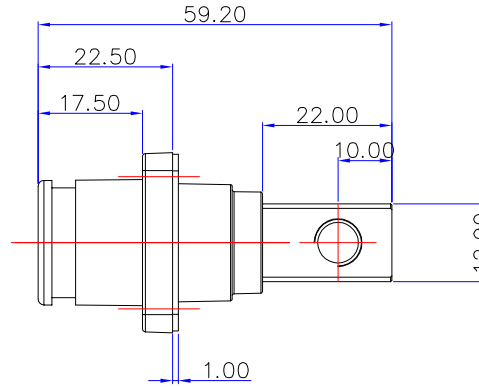
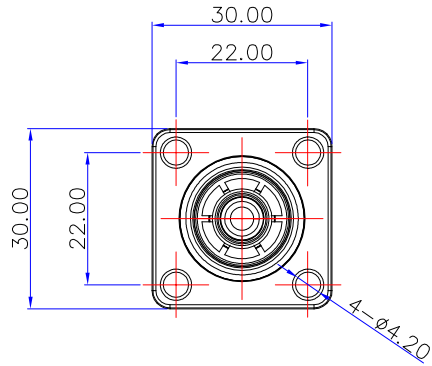
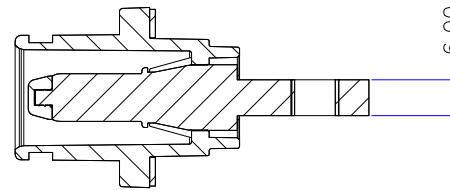




Product NO.		RHT-660-0063		
REV	DESCRIPTION	DWN	DATE	APPROVEN
A	First issue	Gavin	2021/07/26	JIM.KING



Recommended PCB size



Electrical performance:
 Rated current:200A
 Rated voltage:1000V ac
 Insulation voltage:3000VDC(1Min)
 Temperature Rise:4hrs<20°C

Mechanical behavior:
 Duribility:>2000 Cycles
 M&F Holding F:>200N
 Flame Retardant Grade:UL94-V0
 Operating temperature:-40°C~125°C

4	Square Gasket	CR		1
3	Pin	T2		1
2	Finger Protection	PA	Gold	1
1	Plug Shell	PA		1
NO	Description	Material	Finish	Qty

-TOLERANCES- UNLESS OTHERWISE SPECIFIED UNLESS OTHERWISE SPECIFIED TOLERANCES FOR MILLIMETERS ARE: 0.5 - 8mm ± 0.20mm 8 - 30mm ± 0.25mm 30 -120mm ± 0.30mm	www.metabee.com				
	PART DESCRIPTION: ø8mm 200A 插座				
Appd: JIM.KING	P/N: RHT-660-0063				
Check:	Date	Scale	Unit	Type	Page
Draw: Gavin	2021.07.26	Free	MM	Z	1/1