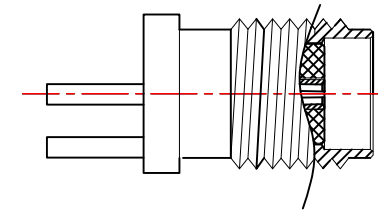
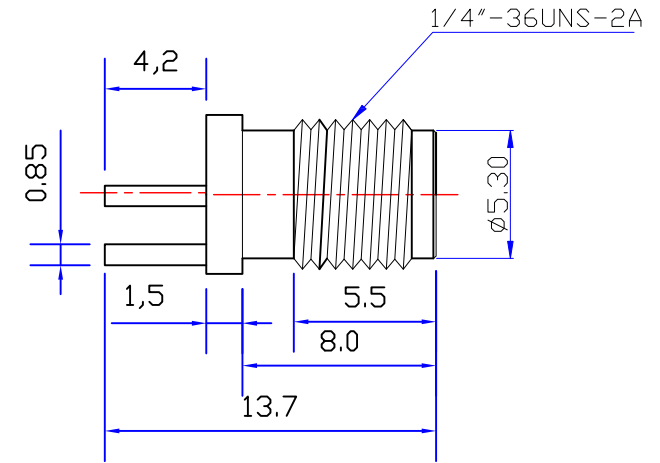
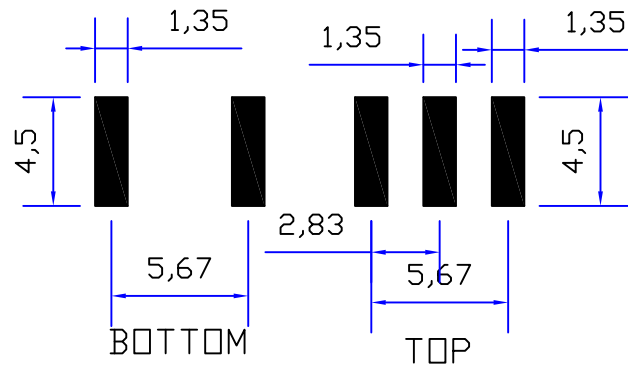
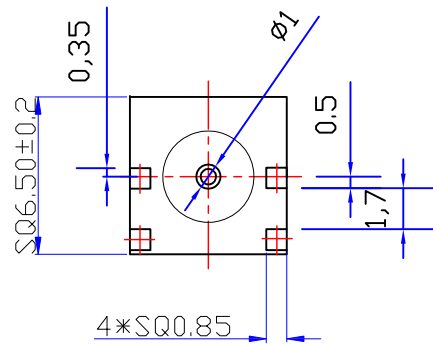




Product NO.		DOSIN-806-0134		
REV	DESCRIPTION	DWN	DATE	APPROVEN
A	First issue	Mr. Wang	2015/06/18	John kine
B				



1	Body	Brass	Au:1.5u"
2	Insulator	TEFLON	White
3	Center contact	Phosphor	Au:3u"
4			
5			
6			
7			
8			
9			
10			
NO	Component Number	Material	Finish

NOTE:		
DRAWN	Zelin. Zhang	
CHECKED		
APPROVALS	John	
Signature	John	

Tolerance	X. ±0.15 X.X ±0.10 X.XX ±0.05 Angular ±5°		Dosin Industrial (HK) Co. Ltd 东莞市德索五金电子制品有限公司 Dosin Hardware Electronics Co., Ltd	E-mail: dosin2005@163.com dosin2005@dosin-china.com Web: http://www.dosinconn.com TEL: (0086) 769-81153906 FAX: (0086) 769-81875836
View				Name: SMA JACK FOR PCB
UNIT	MM	SIZE A	Product NO. DOSIN-806-0134	REV A
SCALE	1:1	DateTime	CAD FILE	SHEET: 1 OF 1
		2015/06/18	H/company drawings/BD	