

P/N	键位 KEY	颜色Color	备注Remarks
FSP240114CW-UM10B1	KEY-W	黑色Black	常用键位 Standing key
FSP240114CZ-UM10A1	KEY-Z	橙色Orange	
FSP240114CX-UM10A1	KEY-X	橙色Orange	备用键位 Uncommon key
FSP240114CY-UM10A1	KEY-Y	橙色Orange	
FSP240114CU-UM10B1	KEY-U	黑色Black	备用键位 Uncommon key
FSP240114CV-UM10B1	KEY-V	黑色Black	
FSP240114CN-UM10A1	KEY-N	橙色Orange	无键位 without key
FSP240114CN-UM10B1		黑色Black	

REVISIONS					
REV	ECN NO	DESCRIPTION	DATE	BY	APPR
A1		RELEASE DRAWING	2020.07.27	ABLE	BENSON

A

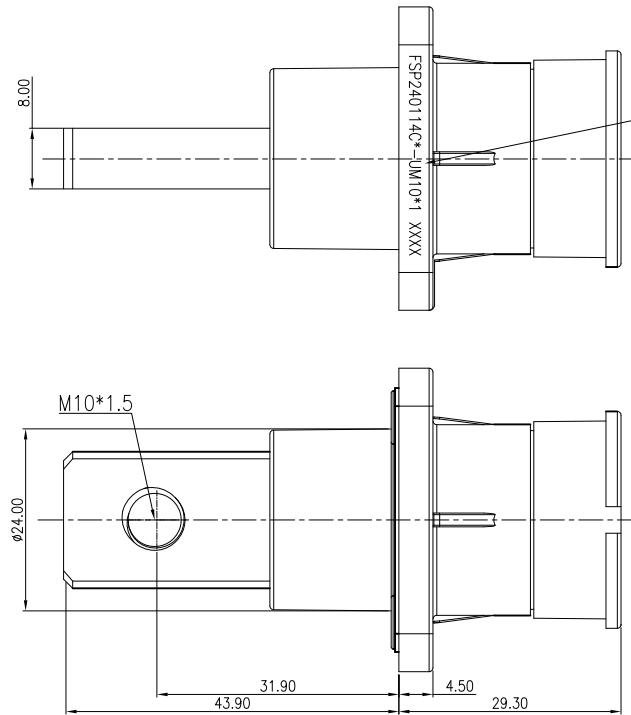
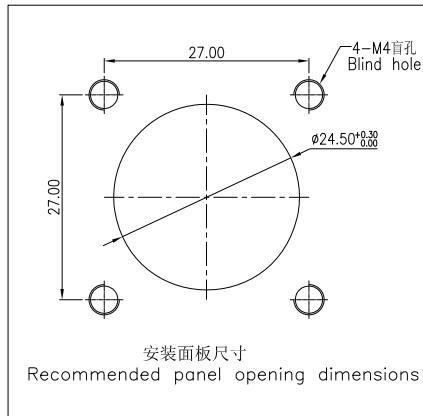
B

C

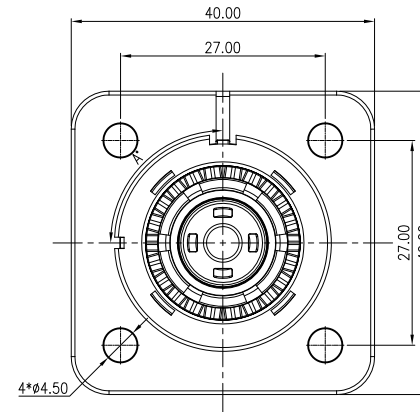
D

E

F

料号 周期
P/N DC

键位 (A°)	KEY (A°)
90°	KEY-W
180°	KEY-X
247°	KEY-Y
293°	KEY-Z
67°	KEY-U
113°	KEY-V
无键位	KEY-N



NOTE:

- 外观表面无划痕、划伤、污渍、异物等缺陷；
No scratches, scratches, stains, foreign matters and other defects on the appearance surface;
- 产品功能说明参考table 1；
Refer to table 1 for product function description
- 产品使用PE袋+纸箱包装；
Products are packed in PE bags + cartons
- 产品符合ROHS；
Products comply with RoHS
- 使用M4组合螺丝锁紧面板，锁紧力1.2-1.4N.M
Use M4 combination screw to lock the mounting panel, and locking torque is 1.2-1.4N.M
- 要求使用带“瞬间制动”（达到设定扭力后即停止，并发出嗒嗒声）电批锁螺丝，不可使用无“瞬间制动”电批，若无符合上述要求之电批，可使用扭力扳手
We should use the electric screwdriver with "instant brake" (stop immediately after reaching setting torque and make a click) to lock screw, and the screwdriver without "instant brake" cannot be used. If there is no screwdriver with "instant brake", can use Torque spanner

TABLE 1:

项目 Item	规格 SPEC
额定电流 rated current	400A/500A
接线规格 wire spec	120mm ² /150mm ²
工作电压 Operating voltage	DC1500V
工作温度 Operating temperature	-40°C~+125°C
耐电压 withstand voltage	4000V AC
绝缘电阻 insulation resistance	5000MΩ MIN(干燥 drying) 200MΩ MIN(RH 95%)
盐雾 salt fog	144H (配合状态下 matching state)
防护等级 protection Level	IP54B
插拔寿命 Durability life	500次 500cycling
接触电阻 Contact resistance	0.3 mΩ max
M10扭矩 M10 Mounting torque	18.0~21.0N.M

ITEM	PART NUMBER	Qty	DESCRIPTION	REMARK
MATERIALS LIST				
UNLESS OTHERWISE SPECIFIED 1) All dimensions are in metric(mm). 2) Tolerances are as follows: 1 PL DEC ±1.00 2 PL DEC ±0.50 Fractions ±1/64 3 PL DEC ±0.25 Angles ±2°			MATERIAL SPECIFICATIONS: SEE TABLE	www.metabee.com METABEE LIMITED
签名 SIGNATURE			日期 DATE	DRAWING TYPE CUSTOMER DRAWING
制图 DRAWN	ABLE	2020.07.27		14.0单芯弯头连接器插座
审核 CHECKED				PART NO: FSP240114C*-UM10*1
工艺 ENGINEER				第三角投影 THIRD ANGLE PROJECTION
批准 APPROVAL				文件编号 FSCM NO.
客户 CUSTOMER				幅面 SIZE
				质量 MASS
				版次 REV.
				比例 SCALE
				A4 9 A1 1:1
				SHEET 1 of 1 DWG NO: S-FSP240114C*-UM10*1

1

2

3

4

5

6

7

8