

NOTE:

- 外观表面无划痕、划伤、污渍、异物等缺陷;
No scratches, scratches, stains, foreign matters and other defects on the surface;
- 产品功能说明参考table 1;
Refer to table 1 for product function description
- 产品使用PE袋+纸箱包装;
Products are packed in PE bags + cartons
- 产品符合ROHS;
Products comply with RoHS
- 产品符合LV215、USCAR-2等标准;
Products comply with lv215, uscar-2 standards
- 为确保产品载流能力
To ensure the current carrying capacity of the product
接线端子铆压后需满足下述保持力要求
The retention force shall be met following requirements
25mm² ≥1900N 35mm² ≥2200N up to 50mm² ≥2700N

| REVISIONS | | | | | |
|-----------|--------|--|-----------|------|-------|
| REV | ECN NO | DESCRIPTION | DATE | BY | APPR |
| A1 | -- | RELEASE DRAWING | 12-Nov-19 | CXL | EASON |
| A2 | -- | 变更密封圈位置Change position of sealing ring | 31-Dec-19 | MIKE | EASON |

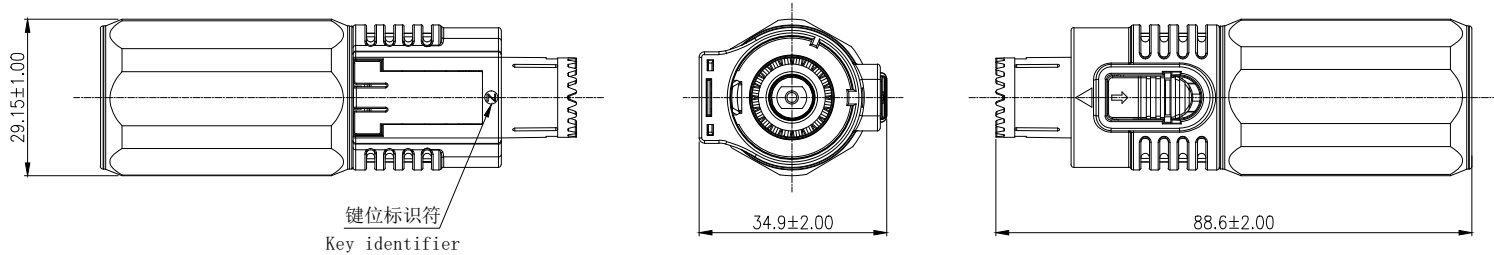
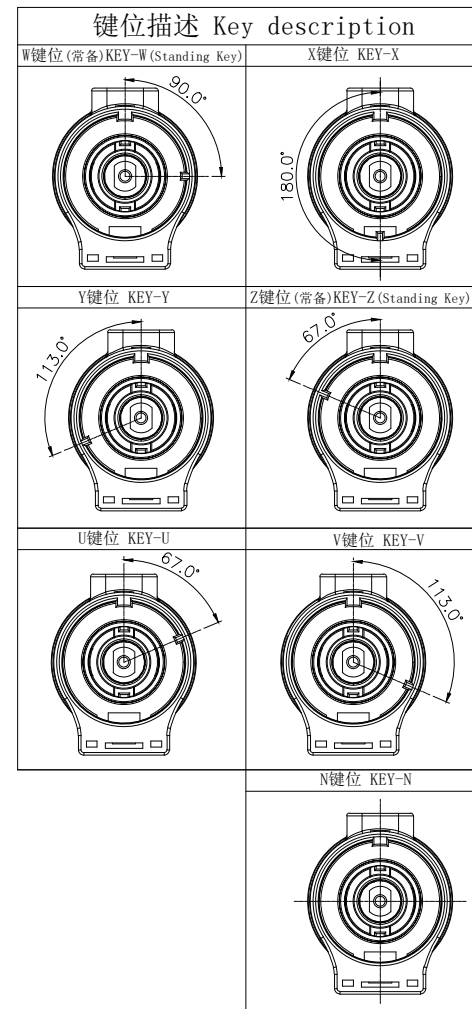
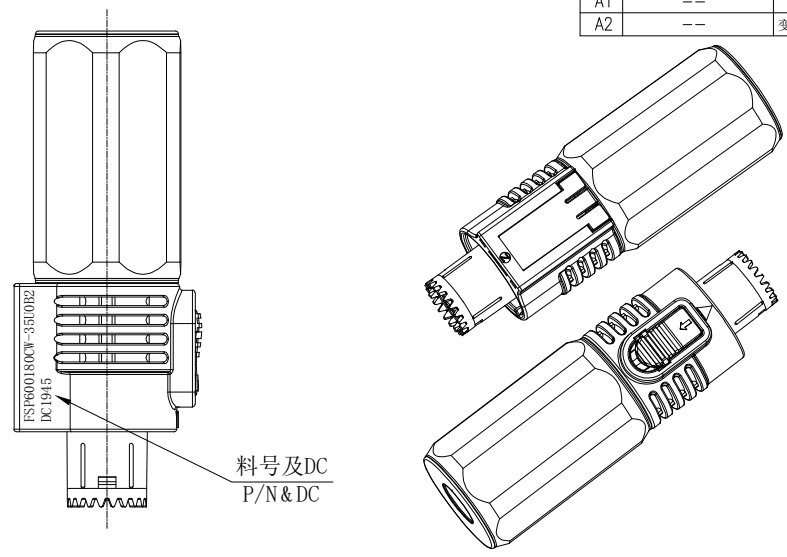


TABLE 1:

| 项目 Item | 规格 SPEC |
|----------------------------|---|
| 额定电流 Rated current | 125A/mm ² 150A/mm ² 200A/50mm ² 250A/70mm ² @85°C |
| 接线规格 Wire spec | 25mm ² 35mm ² 50mm ² 70mm ² |
| 工作电压 Operating voltage | UL DC600V TUV DC1500V |
| 工作温度 Operating temperature | -40°C~+125°C |
| 温升 Temperature rise | 125~200A MAX 40K , 250A MAX 50K |
| 接触电阻 Contact resistance | 0.3 mΩ max |
| 耐电压 Withstand voltage | 3000V AC |
| 绝缘电阻 Insulation resistance | 5000MΩ MIN(干燥 drying) 200MΩ MIN(RH 95%) |
| 寿命 Durability life | 500次 500 cycles |
| 盐雾 Salt fog | 144H (配合状态下 Matching state) |
| 防护等级 Protection Level | IP67B |
| 防火等级 Fire rating | UL94-V0 |
| 端子材质 Terminal material | 铜合金 Copper alloy |
| 螺套扭矩 Nut torque | 1.5~2N.M |

| ITEM | PART NUMBER | Qty | DESCRIPTION | REMARK |
|---|-------------|-----|---------------------------------------|---|
| MATERIALS LIST | | | | |
| UNLESS OTHERWISE SPECIFIED 1) All dimensions are in metric(mm). 2) Tolerances are as follows: 1 PL DEC ±1.00 2 PL DEC ±0.50 3 PL DEC ±0.25 | | | MATERIAL SPECIFICATIONS: SEE TABLE | www.metabee.com METABEE LIMITED |
| SIGNATURE: MIKE DATE: 31-Dec-19 | | | DRAWING TYPE: CUSTOMER DRAWING | 8.0直头连接器插头(防水版) PART NO: FSP600180C*-*#*U0** |
| DRAWN: MIKE CHECKED: APPROVAL: EASON | | | | 第三角投影 THIRD ANGLE PROJECTION |
| 客户 CUSTOMER | | | | 文件编号 FSCM NO. A4 |
| SHEET 1 OF 2 | | | DWG NO: S-FSP600180C*-*#*U0** | 幅面 SIZE A4 |
| | | | | 质量 MASS 9 |
| | | | | 版次 REV. A2 |
| | | | | 比例 SCALE 7.5 |

| REVISIONS | | | | | |
|-----------|--------|--|-----------|------|-------|
| REV | ECN NO | DESCRIPTION | DATE | BY | APPR |
| A1 | -- | RELEASE DRAWING | 12-Nov-19 | CXL | EASON |
| A2 | -- | 变更密封圈位置Change position of sealing ring | 31-Dec-19 | MIKE | EASON |

A
B
C
D
E

| 序号 NO | 料号 P/N | 键位 KEY | 颜色 Colour | 电极 Electrode | 键位说明 Key description | 接线规格 Wire Spec | 备注 Remarks |
|-------|--------------------|-----------|-----------|-----------------------|--|--|--------------------|
| 01 | FSP600180CW-25U0B2 | W键位 KEY-W | 黑色 Black | 负极 Negative electrode | 常备键位 Standing Key | 25mm² 非屏蔽 适配线径范围: φ9.40~φ10.40mm | 二次锁 Second lock |
| 02 | FSP600180CZ-25U0A2 | Z键位 KEY-Z | 橙色 Orange | 正极 Positive electrode | | | |
| 03 | FSP600180CX-25U0A2 | X键位 KEY-X | 橙色 Orange | 正极 Positive electrode | 备选键位 Alternative Key | | |
| 04 | FSP600180CY-25U0A2 | Y键位 KEY-Y | | | | | |
| 05 | FSP600180CU-25U0B2 | U键位 KEY-U | 黑色 Black | 负极 Negative electrode | 25mm² un-shield wire OD of wire: φ9.40~φ10.40mm | | |
| 06 | FSP600180CV-25U0B2 | V键位 KEY-V | | | | | |
| 07 | FSP600180CN-25U0B2 | N键位 KEY-N | 黑色 Black | 负极 Negative electrode | 常备键位 Standing Key | 35平方非屏蔽 适配线径范围: φ10.6~φ11.70mm | |
| 08 | FSP600180CN-25U0A2 | | 橙色 Orange | 正极 Positive electrode | | | |
| 09 | FSP600180CW-35U0B2 | W键位 KEY-W | 黑色 Black | 负极 Negative electrode | 备选键位 Alternative Key | 35mm² un-shield wire OD of wire: φ10.60~φ11.70mm | |
| 10 | FSP600180CZ-35U0A2 | Z键位 KEY-Z | 橙色 Orange | 正极 Positive electrode | | | |
| 11 | FSP600180CX-35U0A2 | X键位 KEY-X | 橙色 Orange | 正极 Positive electrode | 25mm² un-shield wire OD of wire: φ10.60~φ11.70mm | | |
| 12 | FSP600180CY-35U0A2 | Y键位 KEY-Y | | | | | |
| 13 | FSP600180CU-35U0B2 | U键位 KEY-U | 黑色 Black | 负极 Negative electrode | 常备键位 Standing Key | 50平方非屏蔽 适配线径范围: φ12.50~φ13.80mm | |
| 14 | FSP600180CV-35U0B2 | V键位 KEY-V | | | | | |
| 15 | FSP600180CN-35U0B2 | N键位 KEY-N | 黑色 Black | 负极 Negative electrode | 备选键位 Alternative Key | 50mm² un-shield wire OD of wire: φ12.50~φ13.80mm | |
| 16 | FSP600180CN-35U0A2 | | 橙色 Orange | 正极 Positive electrode | | | |
| 17 | FSP600180CW-50U0B2 | W键位 KEY-W | 黑色 Black | 负极 Negative electrode | 常备键位 Standing Key | 70平方非屏蔽 适配线径范围: φ14.00~φ15.40mm | |
| 18 | FSP600180CZ-50U0A2 | Z键位 KEY-Z | 橙色 Orange | 正极 Positive electrode | | | |
| 19 | FSP600180CX-50U0A2 | X键位 KEY-X | 橙色 Orange | 正极 Positive electrode | 备选键位 Alternative Key | 70mm² un-shield wire OD of wire: φ14.00~φ15.40mm | |
| 20 | FSP600180CY-50U0A2 | Y键位 KEY-Y | | | | | |
| 21 | FSP600180CU-50U0B2 | U键位 KEY-U | 黑色 Black | 负极 Negative electrode | 常备键位 Standing Key | 70mm² un-shield wire OD of wire: φ14.00~φ15.40mm | |
| 22 | FSP600180CV-50U0B2 | V键位 KEY-V | | | | | |
| 23 | FSP600180CN-50U0B2 | N键位 KEY-N | 黑色 Black | 负极 Negative electrode | 备选键位 Alternative Key | 70mm² un-shield wire OD of wire: φ14.00~φ15.40mm | |
| 24 | FSP600180CN-50U0A2 | | 橙色 Orange | 正极 Positive electrode | | | |
| 25 | FSP600180CW-70U0B2 | W键位 KEY-W | 黑色 Black | 负极 Negative electrode | 常备键位 Standing Key | 70mm² un-shield wire OD of wire: φ14.00~φ15.40mm | |
| 26 | FSP600180CZ-70U0A2 | Z键位 KEY-Z | 橙色 Orange | 正极 Positive electrode | | | |
| 27 | FSP600180CX-70U0A2 | X键位 KEY-X | 橙色 Orange | 正极 Positive electrode | 备选键位 Alternative Key | 70mm² un-shield wire OD of wire: φ14.00~φ15.40mm | |
| 28 | FSP600180CY-70U0A2 | Y键位 KEY-Y | | | | | |
| 29 | FSP600180CU-70U0B2 | U键位 KEY-U | 黑色 Black | 负极 Negative electrode | 常备键位 Standing Key | 70mm² un-shield wire OD of wire: φ14.00~φ15.40mm | |
| 30 | FSP600180CV-70U0B2 | V键位 KEY-V | | | | | |
| 31 | FSP600180CN-70U0B2 | N键位 KEY-N | 黑色 Black | 负极 Negative electrode | 备选键位 Alternative Key | 70mm² un-shield wire OD of wire: φ14.00~φ15.40mm | |
| 32 | FSP600180CN-70U0A2 | | 橙色 Orange | 正极 Positive electrode | | | |

选型说明
Model selection description

FSP600180C * - ** U0 * 2

W: KYE-W

X: KYE-X

Y: KYE-Y

Z: KYE-Z

U: KYE-U

V: KYE-V

N: KYE-N

—25: 25mm²

—35: 35mm²

—50: 50mm²

—70: 70mm²

—B: 黑色负极

—A: 橙色正极

F

| ITEM | PART NUMBER | Qty | DESCRIPTION | REMARK |
|---|-------------|-----------|--|------------------------------------|
| MATERIALS LIST | | | | |
| UNLESS OTHERWISE SPECIFIED 1) All dimensions are in metric(mm). 2) Tolerances are as follows: 1 PL DEC ±1.00 2 PL DEC ±0.50 3 PL DEC ±0.25 | | | MATERIAL SPECIFICATIONS: SEE TABLE | www.metabee.com METABEE LIMITED |
| Fractions ±1/64 Angles ±2' | | | DRAWING TYPE CUSTOMER DRAWING | 8.0直头连接器插头(防水版) |
| 签名 SIGNATURE | | 日期 DATE | PART NO: FSP600180C*-*U0** | |
| 制图 DRAWN | MIKE | 31-Dec-19 | | |
| 审核 CHECKED | | | | |
| 工艺 ENGINEER | | | | |
| 批准 APPROVAL | EASON | 31-Dec-19 | | |
| 客户 CUSTOMER | | | SHEET 2 OF 2 DWG NO: S-FSP600180C-*U0** | |