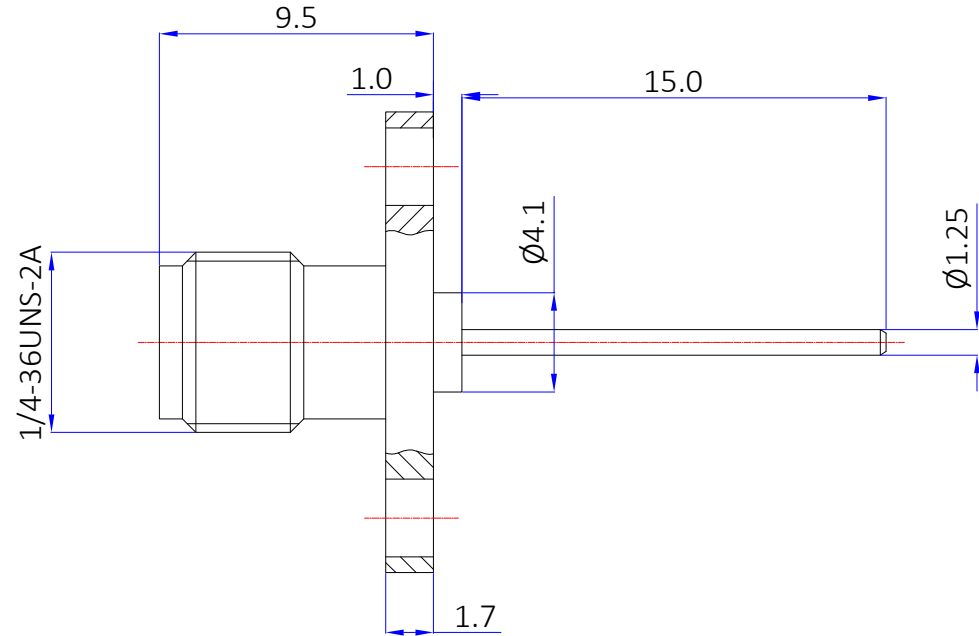
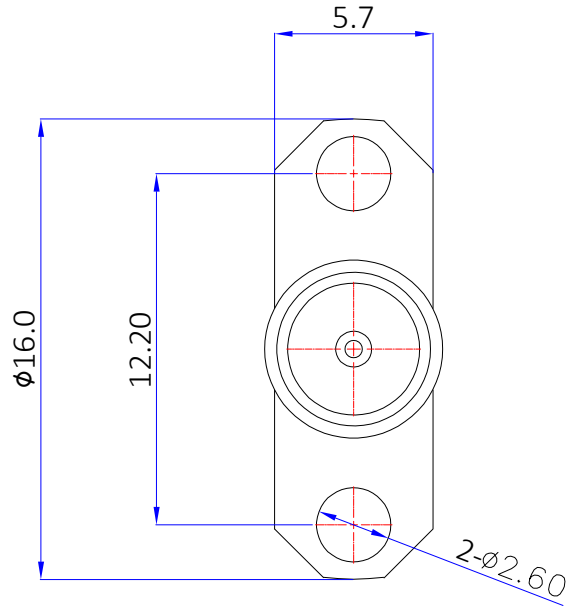




Product NO.		RHT-612-0752			
ISSUE	DESCRIPTION	DWN	DATE	APPROVEN	
R1.0	First issue	XIEFENG	2023.03.30	JIM.KING	



SPECIFICATIONS:

IMPEDANCE: 50 ohms
 FREQUENCY RANGE: 0~6GHz
 WORKING VOLTAGE:500 V rms @ sea level
 INSULATION RESISTANCE: 5000 MΩ
 TEMPERATURE RANGE:-65℃ TO +165℃
 Drawings products are in line with ROHS standards

No.	PART NAME	DESCRIPTION	Q'TY
3	CENTER CONTACT	PHOSPHOR COPPER, , Gold plated	1
2	INSULATOR TEFLON	TEFLON,White	1
1	BODY	BRASS, Gold plated	1

-TOLERANCES- UNLESS OTHERWISE SPECIFIED UNLESS OTHERWISE SPECIFIED TOLERANCES FOR MILLIMETERS ARE: 0.5 - 8mm ± 0.20mm 8 - 30mm ± 0.25mm 30 -120mm ± 0.30mm	RENHOTEC GROUP	
	PART DESCRIPTION: SMA JACK CONNECTOR Appr: JIM.KING P/N: RHT-612-0752	
Check: Draw: XIEFENG	Date: 2023.03.30	Scale: Free Unit: MM Type: Z Page: 1/1