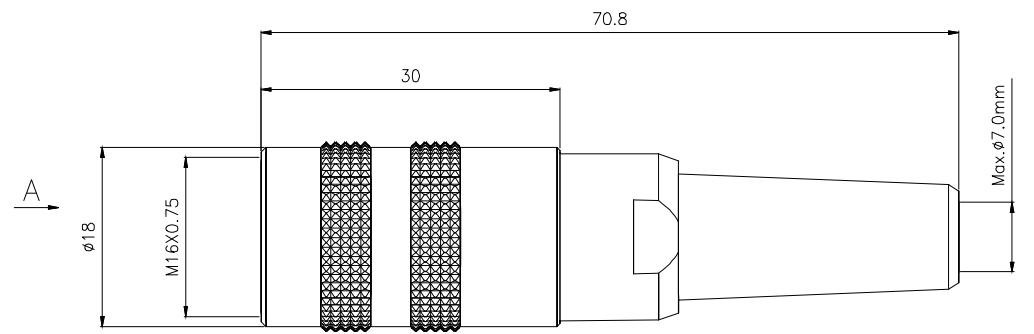
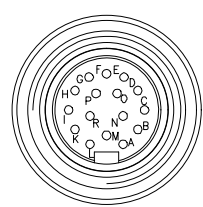
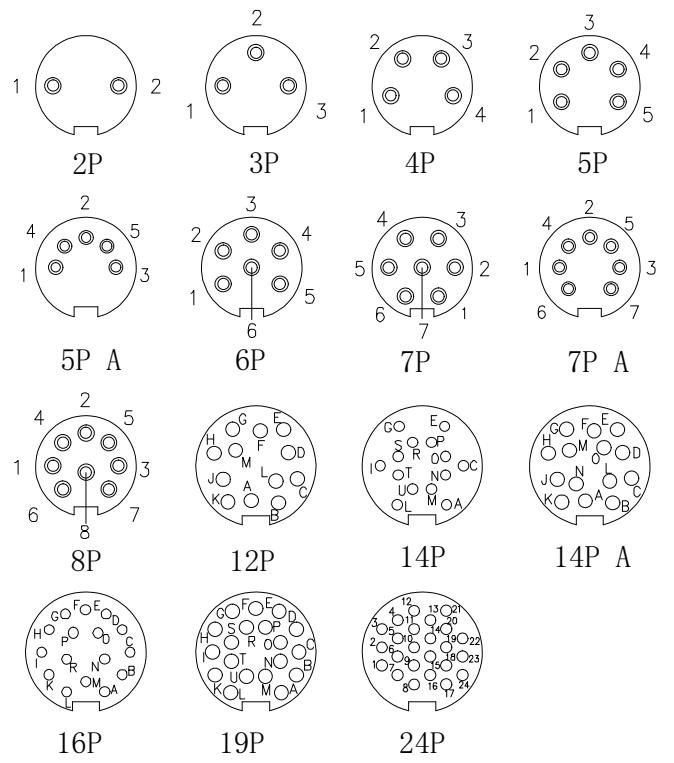


	1	2		3		4		5		6		7			
Specifications	Contacts	2	3	4	5	5A	6	7	7A	8	12	14	14A	19	24
Rated current/ Rated voltage		7A/250V	7A/250V	6A/250V	6A/250V	6A/250V	5A/250V	5A/125V	5A/125V	5A/125V	3A/60V	3A/60V	3A/60V	3A/60V	1A/60V
Rated pulse voltage		1500V	1500V	1500V	1500V	1500V	1500V	800V	800V	800V	500V	500V	500V	500V	500V
Insulation resistance(mΩ)		≥100	≥100	≥100	≥100	≥100	≥100	≥100	≥100	≥100	≥100	≥100	≥100	≥100	≥100
Contact resistance(MΩ)		≤5	≤5	≤5	≤5	≤5	≤5	≤5	≤5	≤5	≤3	≤3	≤3	≤3	≤3

PIN layout



General Specifications

Connector locking system: Screw
 Termination: Solder
 Temperature range: -25°C ~ +85°C
 Mating cycles: > 500
 Degree of protection: IP67 when mated

Materials:

Contact: CuSn
 Contact plating: Gold plated
 Contact insert: PA66+GF UL94 black
 M16 coupling: CuZn nickel plated
 Seal: NBR black

All materials are RoHS compliant

-TOLERANCES- UNLESS OTHERWISE SPECIFIED	RENHOTEC GROUP www.renhotec.com				
	PART DESCRIPTION: M16 Female Straight Connector, Assembly				
UNLESS OTHERWISE SPECIFIED TOLERANCES FOR MILLIMETERS ARE: 0.5 - 8mm ± 0.20mm 8 - 30mm ± 0.25mm 30 - 120mm ± 0.30mm	Appr: JIM.KING	P/N: RHT-634-3083			
Check:	Date	Scale	Unit	Type	Page
Draw: DING	2021.12.07	Free	MM	Z	1/1