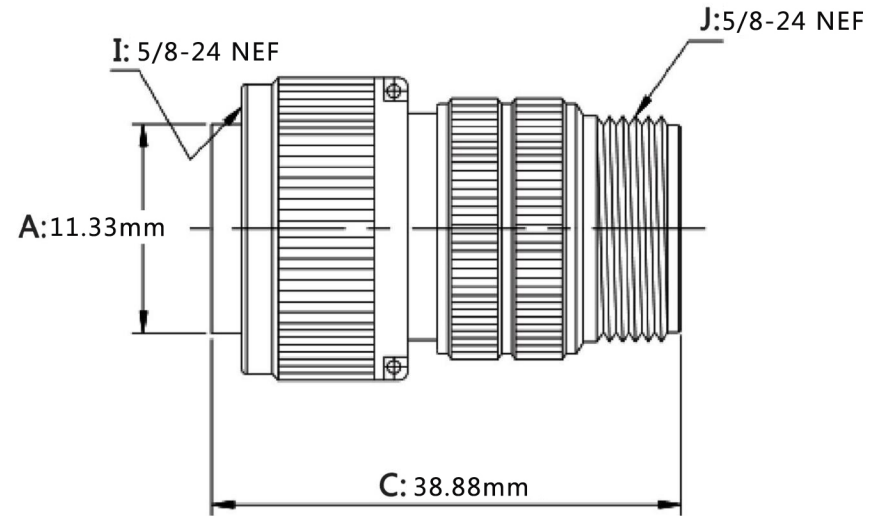
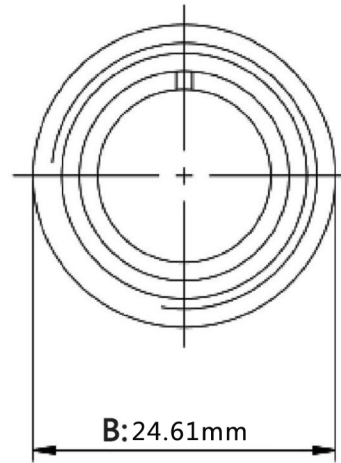




Front of  
Socket Insert

|                    |        |
|--------------------|--------|
| Insert Arrangement | 10SL-3 |
| Service Rating     | A      |
| Number of Contacts | 3      |
| Contact Size       | 16     |



|             |                          |          |           |           |
|-------------|--------------------------|----------|-----------|-----------|
| Product NO. | Renhotec-MS3106A 10SL-3S |          |           |           |
| REV         | DESCRIPTION              | DWN      | DATE      | APPROVEN  |
| A           | First issue              | Mr. Wang | 2018/6/13 | John kine |

**Materials:**

- Shell: Aluminum alloy, Olive drab chromate
- Contact: brass with gold plated
- Insulator: Synthetic Rubber

**Tech data:**

- Ambient Temperature Range: -55°C-+125°C
- Frequency: 10-2000Hz/147m/s<sup>2</sup>
- Shock: 490 m/s<sup>2</sup>
- Durability: ≥500 times
- Relative humidity: 95±4% at 40°C
- Insulation resistance: ≥5000MΩ
- Withstanding voltage: 2000V

**Electrical data**

| Contact size | Pin contact Diam, | Solder Pot Diam, | Rated Current (Mated with insulators) | Contact resistance |                        |
|--------------|-------------------|------------------|---------------------------------------|--------------------|------------------------|
|              |                   |                  |                                       | Test current DC A  | Potential Drop(Max) mV |
| #16          | 1.6               | 1.9              | 13A                                   | 13A                | 49                     |
| #12          | 2.4               | 3.0              | 23A                                   | 23A                | 42                     |
| #8           | 3.6               | 5.4              | 46A                                   | 46A                | 26                     |
| #4           | 5.7               | 8.4              | 80A                                   | 80A                | 23                     |
| #0           | 9.1               | 12.2             | 150A                                  | 150A               | 21                     |

**Wire range accommodations**

| Size | A.W.G   | Wire normal square size(mm <sup>2</sup> ) | Dielectric material outer diam. |
|------|---------|---|---------------------------------|
| #16  | #22-#16 | ≤1.3                                      | 1.7~3.3                         |
| #12  | #14-#12 | ≤3.5                                      | 2.9~4.3                         |
| #8   | #10-#8  | ≤8.0                                      | 4.2~6.4                         |
| #4   | #6-#4   | ≤22.0                                     | 7.0~9.4                         |
| #0   | #2-#0   | ≤50.0                                     | 10.6~14.0                       |

|                               |           |       |  |
|-------------------------------|-----------|-------|--|
| NOTE:                         |           |       | 0-6 ±0.10<br>6-30 ±0.20<br>30-120 ±0.30<br>Angular ±2° |
| DRAWN                         | 2018/6/13 | View  |  |
| CHECKED                       | 2018/6/13 | UNIT  | MM   |
| APPROVALS<br><i>John Kine</i> |           | SCALE | 1:1  |



**RENHOTEC GROUP**

|   |                                    |               |  |
|---|------------------------------------|---------------|--|
| Name: Military Spec MS3106A 10SL-3S 3Pin Female Connector |                                    |               |  |
| SIZE<br>A   | Product NO.<br>RHT-MS3106A 10SL-3S | REV<br>B      |  |
| DateTime<br>2018/6/13                                     | CAD FILE<br>D/company drawings/BD  | SHEET: 1 OF 1 |  |