

| REVISIONS | | | | | |
|-----------|--------|-----------------|------------|------|-------|
| REV | ECN NO | DESCRIPTION | DATE | BY | APPR |
| A1 | N/A | RELEASE DRAWING | 04/16'18 | MIKE | EASON |
| A2 | | 增加16平方电流参数 | 11/1'18 | ABLE | EASON |
| A3 | | 增加英文说明 | 2019.12.26 | ABLE | EASON |

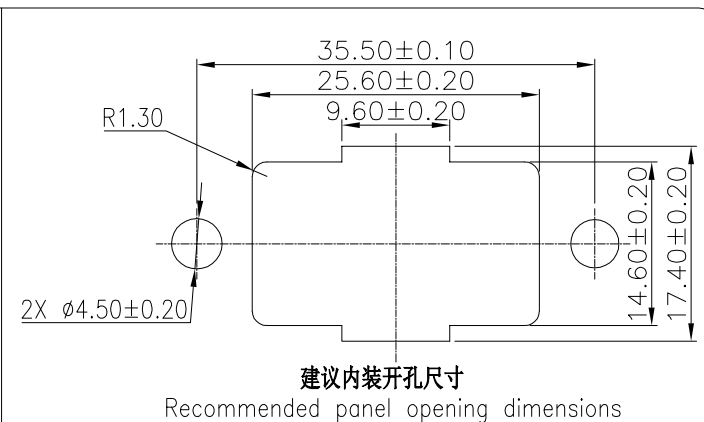
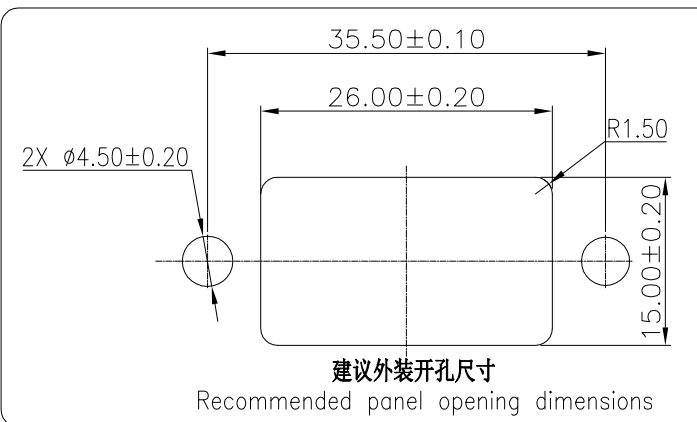
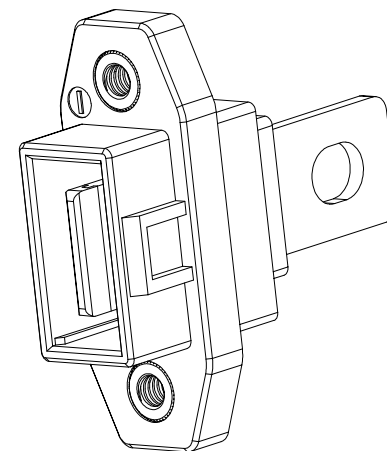
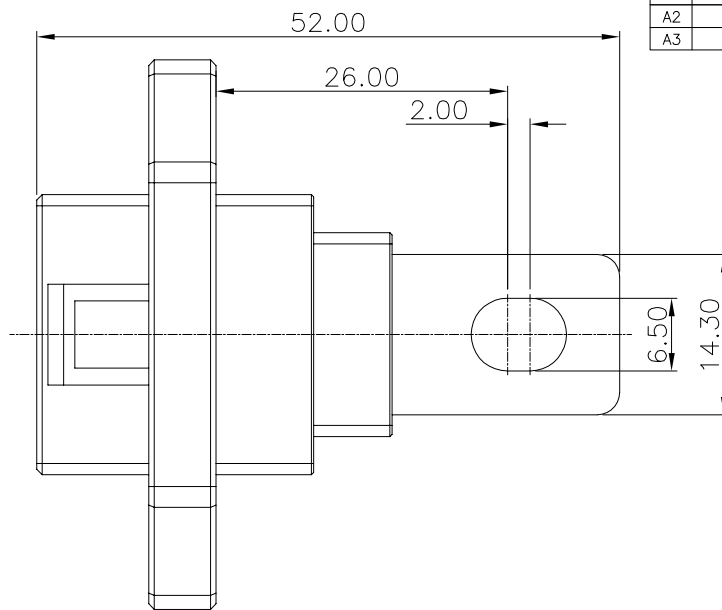
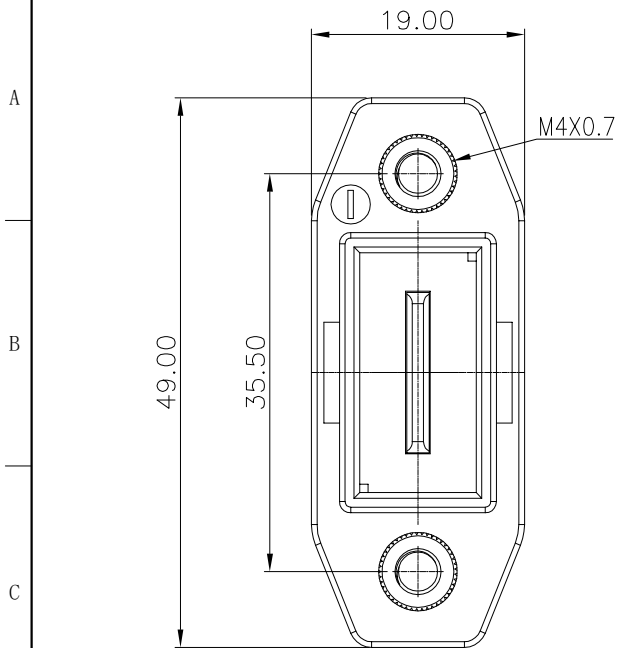


TABLE 1:

| 项目 Item | 规格 SPEC |
|----------------------------|---|
| 额定电流 rated current | 80A (16MM ²) 120A (25MM ²) 150A (35MM ²) 200A (50MM ²) |
| 工作电压 Operating voltage | DC1000V |
| 工作温度 Operating temperature | -40°C~+125°C |
| 温升 Temperature rise | MAX 40K(80A~150A) MAX 50K(200A) |
| 耐电压 withstand voltage | 3000V AC |
| 绝缘电阻 insulation resistance | 5000MΩ MIN(AT25°C) |
| 接触电阻 Contact resistance | 0.1 mΩ max |
| 插拔寿命 Durability life | 500 次 |
| 盐雾 salt fog | 48H |
| 防护等级 protection Level | IP20B |
| 安装扭矩 Mounting torque | M4:1.3N.M~1.5N.M |

| ITEM | PART NUMBER | Qty | DESCRIPTION | REMARK |
|--|-------------|------------------|---------------------------------------|------------------------------------|
| MATERIALS LIST | | | | |
| UNLESS OTHERWISE SPECIFIED 1) All dimensions are in metric(mm). 2) Tolerances are as follows: 1 PL DEC ±1.00 2 PL DEC ±0.50 Fractions ±1/64 3 PL DEC ±0.25 Angles ±2° | | | MATERIAL SPECIFICATIONS: SEE TABLE | www.metabee.com METABEE LIMITED |
| 签名 SIGNATURE | | | 日期 DATE | 单芯扁插插座右侧负极 |
| 制图 DRAWN | | | ABLE | 2019.12.26 |
| 审核 CHECKED | | | | |
| 工艺 ENGINEER | | | | |
| 批准 APPROVAL | | | | |
| 客户 CUSTOMER | | | | |
| | | | DRAWING TYPE CUSTOMER DRAWING | |
| | | | PART NO: FSP240101TN-UH6B | |
| 第三角投影 THIRD ANGLE PROJECTION | | 文件编号 FSCM NO. | 幅面 SIZE | 质量 MASS |
| A4 | | 9 | A3 | 1:1 |
| SHEET 1 OF 1 | | DWG NO. | | |