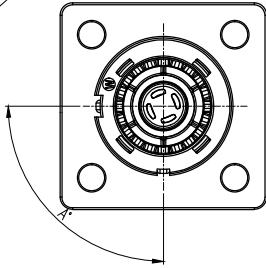
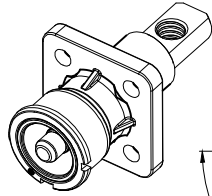


料号P/N	键位 Key	颜色Color	备注Remarks
FSP220160CW-UM61B	W键位 Key-W	黑色 Black	常用键位
FSP220160CZ-UM61A	Z键位 Key-Z	橙色 Orange	Standing key
FSP220160CX-UM61A	X键位 Key-X	橙色 Orange	备用键位
FSP220160CY-UM61A	Y键位 Key-Y	橙色 Orange	Uncommon key
FSP220160CU-UM61B	U键位 Key-U	黑色 Black	备用键位
FSP220160CV-UM61B	V键位 Key-V	黑色 Black	Uncommon key
FSP220160CN-UM61A	N键位 Key-N	橙色 Orange	无键位
FSP220160CN-UM61B	N键位 Key-N	黑色 Black	without key

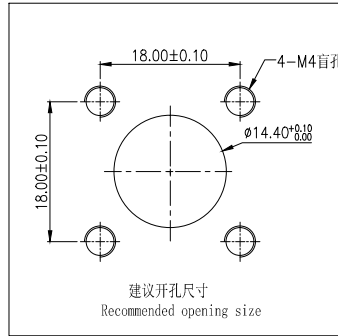


键位 ( A° )	Key ( A° )	
90°	W键位 Key-W	
180°	X键位 Key-X	
247°	Y键位 Key-Y	
293°	Z键位 Key-Z	
67°	U键位 Key-U	
113°	V键位 Key-V	
无键位 without Key	N	

REVISIONS					
REV	ECN NO	DESCRIPTION	DATE	BY	APPR
A1	--	RELEASE DRAWING	2019.12.02	Devin	BENSON
A2	--	优化结构	2019.12.26	Devin	BENSON
A3	--	调整法兰面尺寸	2020.01.10	Devin	BENSON

NOTE:

- 外观表面无划痕、划伤、污渍、异物等缺陷  
No scratches, scratches, stains, foreign matter and other defects on the appearance surface
- 产品功能说明参考TABLE 1  
Product Function Description Reference TABLE 1
- 产品使用PE袋+纸箱包装  
Products are packaged in PE bags + cartons
- 产品符合ROHS  
Products conform to ROHS
- M4组合螺丝锁紧面板扭矩为1.2~1.4N.M  
Torque of M4 combination screw locking panel is 1.2~1.4N.M
- 要求使用带“瞬间制动”（达到设定扭力后即停止，并发出嗒嗒声）电批锁螺丝，不可使用无“瞬间制动”电批，若无符合上述要求之电批，可使用扭力扳手  
We should use the electric screwdriver with "instant brake" (stop immediately after reaching setting torque and make a click) to lock screw, and the screwdriver without "instant brake" cannot be used. If there is no screwdriver with "instant brake", can use Torque spanner



镭雕料号和日期代码  
Radium carving number  
and date code  
示例The sample  
FSP220160C\*-UM61\* XXXX  
年份 year      周数 weeks

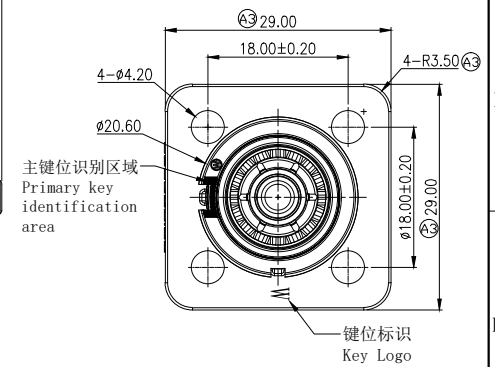
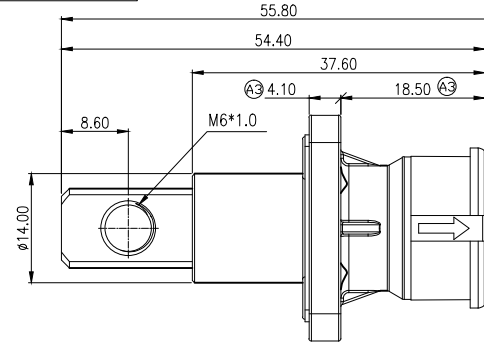
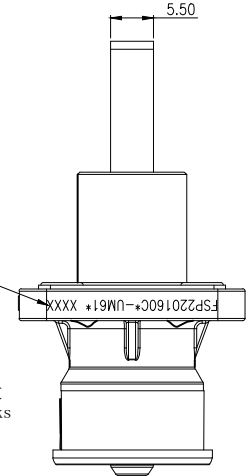


TABLE 1:

项目 items	规格 SPEC
额定电流 rated current	70A/80A/125A
接线规格 Wiring specifications	10mm <sup>2</sup> /16mm <sup>2</sup> /25mm <sup>2</sup>
工作电压 Operating voltage	UL DC600V / TUV DC1500V
工作温度 Operating temperature	-40°C~+125°C
温升 Temperature rise	MAX 40K
耐电压 breakdown voltage	UL 3000V AC / TUV 3310V AC
绝缘电阻 Insulation resistance	5000MΩ MIN(干燥 drying) 200MΩ MIN(RH 95%)
接触电阻 Contact resistance	0.3 mΩ max
寿命 Durability life	500次 500cycling
盐雾 salt fog	144H (配合状态下 Matching state)
防护等级 Protection Level	IP67B
端子材质 Terminal material	铜合金 Copper alloy
防火等级 Fire rating	UL94-V0
M6扭矩 M6 torque	安装扭矩(locking torque) 7.0~7.5N.M

ITEM	PART NUMBER	Qty	DESCRIPTION	REMARK
MATERIALS LIST				
UNLESS OTHERWISE SPECIFIED 1) All dimensions are in metric(mm). 2) Tolerances are as follows: 1 PL DEC ±1.00 2 PL DEC ±0.50 Fractions ±1/64 3 PL DEC ±0.25 Angles ±2'			MATERIAL SPECIFICATIONS: SEE TABLE	www.metabee.com
DRAWING TYPE COSTOMER DRAWING			METABEE LIMITED	
PART NO: FSP220160C*-UM61*			6.0单芯弯头连接器插座(防水版)	
SIGNATURE Devin 2020.01.10			THIRD ANGLE PROJECTION 文件编号 FSCM NO. 质量 MASS 版次 REV. 比例 SCALE A4 9 A3 1:1	
SHEET 1 OF 1			DWG NO: S-FSP220160C*-UM61*	