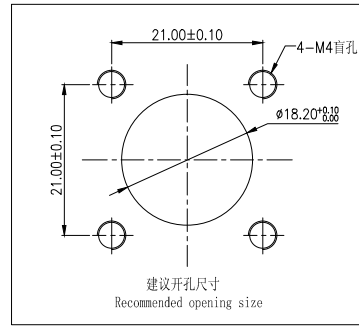
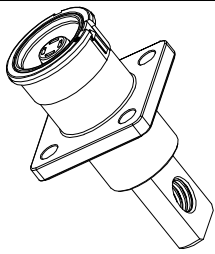
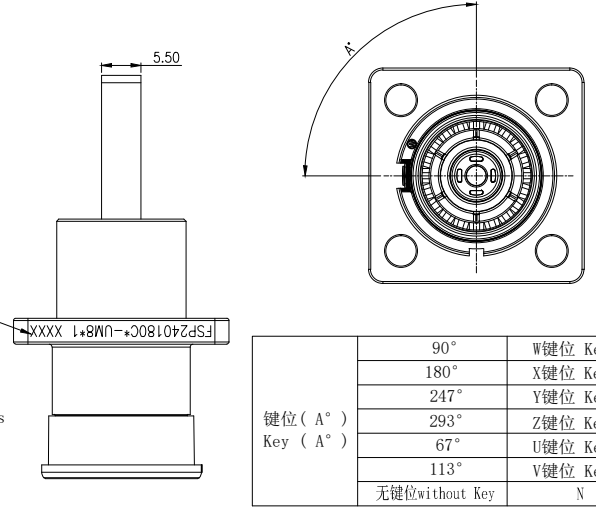


料号P/N	键位 Key	颜色Color	备注Remarks
FSP240180CW-UM8B1	W键位 Key-W	黑色 Black	常用键位
FSP240180CZ-UM8A1	Z键位 Key-Z	橙色 Orange	Standing key
FSP240180CY-UM8R1	Y键位 Key-Y	红色 Red	
FSP240180CX-UM8A1	X键位 Key-X	棕色 Orange	备用键位
FSP240180CY-UM8A1	Y键位 Key-Y	棕色 Orange	Uncommon key
FSP240180CU-UM8B1	U键位 Key-U	黑色 Black	备用键位
FSP240180CV-UM8B1	V键位 Key-V	黑色 Black	Uncommon key
FSP240180CN-UM8A1	N键位 Key-N	棕色 Orange	无键位
FSP240180CN-UM8B1	N键位 Key-N	黑色 Black	without key



REVISIONS					
REV	ECN NO	DESCRIPTION	DATE	BY	APPR
A2	--	规范组合螺丝扭力说明	2019.8.28	Devin	BENSON
A3	--	增加英文说明	19.12.27	Devin	BENSON
A4	--	调整铜排扭矩	20.06.18	Devin	BENSON



NOTE:

- 外观表面无划痕、划伤、污渍、异物等缺陷  
No scratches, scratches, stains, foreign matter and other defects on the appearance surface
- 产品功能说明参考TABLE 1  
Product Function Description Reference TABLE 1
- 产品使用PE袋+纸箱包装  
Products are packaged in PE bags + cartons
- 产品符合ROHS  
Products conform to ROHS
- M4组合螺丝锁紧面板扭矩为1.2~1.4N.M  
Torque of M4 combination screw locking panel is 1.2~1.4N.M
- 要求使用带“瞬间制动”（达到设定扭力后即停止，并发出嗒嗒声）电批锁螺丝，不可使用无“瞬间制动”电批，若无符合上述要求之电批，可使用扭力扳手  
We should use the electric screwdriver with "instant brake" (stop immediately after reaching setting torque and make a click) to lock screw, and the screwdriver without "instant brake" cannot be used. If there is no screwdriver with "instant brake", can use Torque spanner

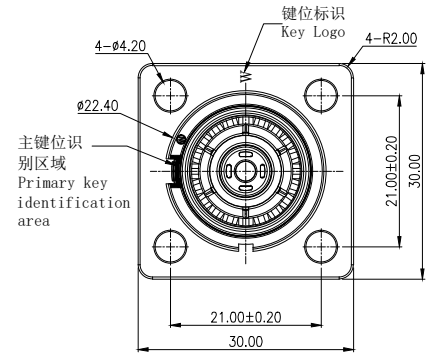
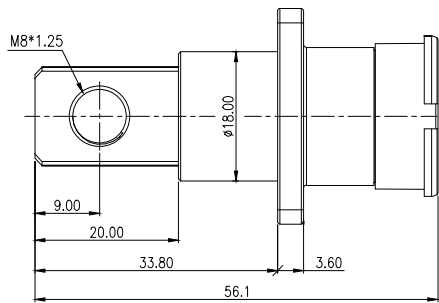
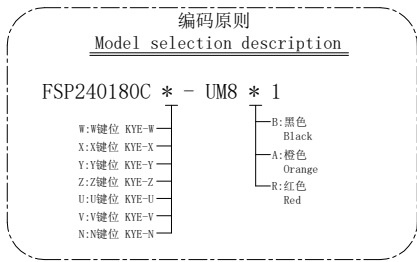


TABLE 1:

项目 Item	规格 SPEC
额定电流 rated current	125A/150A/200A/250A
接线规格 Wiring specifications	25mm <sup>2</sup> /35mm <sup>2</sup> /50mm <sup>2</sup> /70mm <sup>2</sup>
工作电压 Operating voltage	DC1000V
工作温度 Operating temperature	-40°C~+125°C
温升 Temperature rise	125~200A MAX 40K, 250A MAX50K
耐电压 breakdown voltage	3000V AC/4800V DC
绝缘电阻 Insulation resistance	5000MΩ MIN(干燥 drying) 200MΩ MIN(RH 95%)
接触电阻 Contact resistance	0.3 mΩ max
寿命 Durability life	500次 500cycling
盐雾 salt fog	48H (配合状态下 Matching state)
防护等级 Protection Level	IP54B
端子材质 Terminal material	铜合金 Copper alloy
防火等级 Fire rating	UL94-V0
M8扭矩 M8 torque	安装扭矩(locking torque) 16.0~16.5N.M



ITEM	PART NUMBER	Qty	DESCRIPTION	REMARK
MATERIALS LIST				
UNLESS OTHERWISE SPECIFIED			MATERIAL SPECIFICATIONS:	
1) All dimensions are in metric(mm).			www.metabee.com	
2) Tolerances are as follows:			METABEE LIMITED	
1 PL DEC ±1.00			DRAWING TYPE	
2 PL DEC ±0.50 Fractions ±1/64			CUSTOMER DRAWING	
3 PL DEC ±0.25 Angles ±2°			8.0单芯弯头连接器插座(短款) IP54B	
签名 SIGNATURE		日期 DATE	PART NO:	
制图 DRAWN Devin		20.06.18	FSP240180C*-UM8*1	
审核 CHECKED			第三角投影 THIRD ANGLE PROJECTION	
工艺 ENGINEER			文件编号 FSCM NO.	
批准 APPROVAL			幅面 SIZE	
客户 CUSTOMER			质量 MASS	
			版次 REV.	
			比例 SCALE	
			A4 9 A4 1:1	
			SHEET 1 OF 1 DWG NO: S-FSP240180C*-UM8*1	