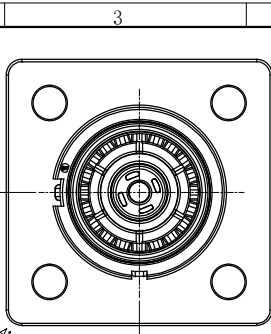


建议开孔尺寸
Recommended opening size



编码原则 Coding principle: FSP2*0180C * -UM81 *

0: 非单体防水 No monomer waterproof
1: 单体防水 Waterproof monomer

W: W键位/Key
Z: Z键位/Key
X: X键位/Key
Y: Y键位/Key
U: U键位/Key
V: V键位/Key
N: 无键位/without Key

B: 黑色负极 Black/Cathode
A: 橙色正极 Orange/Anode

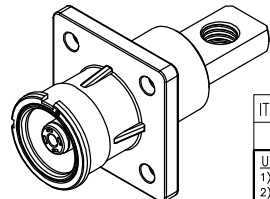
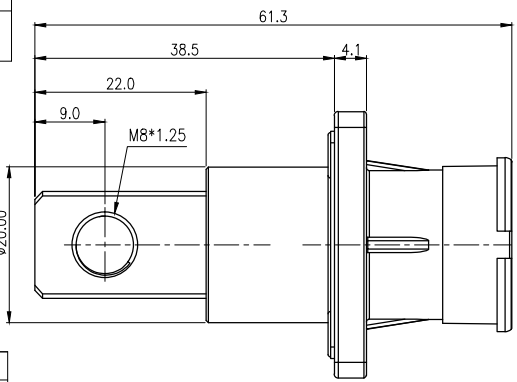
料号 Part number	键位 Key	颜色 colour	备注 Note
FSP2*0180CW-UM81B	W键位/Key	黑色 black	常用键位 Common spec
FSP2*0180CZ-UM81A	Z键位/Key	橙色 orange	常用键位 Common spec
FSP2*0180CZ-UM81R	Z键位/Key	红色 Red	
FSP2*0180CX-UM81A	X键位/Key	橙色 orange	备用键位 Spare spec
FSP2*0180CY-UM81A	Y键位/Key	橙色 orange	备用键位 Spare spec
FSP2*0180CU-UM81B	U键位/Key	黑色 black	备用键位 Spare spec
FSP2*0180CV-UM81B	V键位/Key	黑色 black	备用键位 Spare spec
FSP2*0180CN-UM81A	N	橙色 orange	无键位 without key
FSP2*0180CN-UM81B	N	黑色 black	无键位 without key

键位/Key (A°)	键位/Key	备注 Note
90°	W键位/Key	
180°	X键位/Key	
247°	Y键位/Key	
293°	Z键位/Key	
67°	U键位/Key	
113°	V键位/Key	
无键位 without key	N	

- NOTE:
- 外观表面无划痕、划伤、污渍、异物等缺陷
No scratches, scratches, stains, foreign matter and other defects on the appearance surface
 - 产品功能说明参考TABLE 1
Product Function Description Reference TABLE 1
 - 产品使用PE袋+纸箱包装
Products are packaged in PE bags + cartons
 - 产品符合ROHS
Products conform to ROHS

TABLE 1:

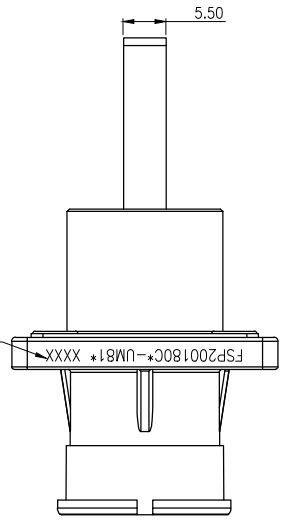
项目 project	规格 SPEC
额定电流 rated current	125A/150A/200A/250A
接线规格 Wiring specifications	25mm ² /35mm ² /50mm ² /70mm ²
工作电压 Operating voltage	UL DC1000V / TUV DC1500V
工作温度 Operating temperature	-40°C~+125°C
温升 Temperature rise	125~200A MAX 40K, 250A MAX 50K
耐电压 breakdown voltage	UL 4250V AC / TUV 4260V AC
绝缘电阻 Insulation resistance	5000MΩ MIN(干燥 Dry) 200MΩ MIN(RH 95%)
接触电阻 Contact resistance	0.1 mΩ max
插拔寿命 Inserts pulls out the life	500 次
盐雾 salt fog test	144H (配合状态下 Connection state)
防护等级 Protection Level	IP67B
外壳材质 Shell Material	热塑性材料 Thermoplastic material
端子材质 Terminal material	铜合金 Copper alloy
防火等级 Fire rating	UL94-VO
M8扭矩 Nut torque	8.0~10.0N.M
M4扭矩 Nut torque	1.2~1.4N.M



REVISIONS					
REV	ECN NO	DESCRIPTION	DATE	BY	APPR
A7	--	RELEASE DRAWING	2020.3.11	CXL	BENSON

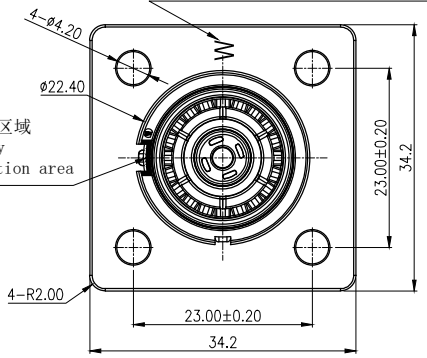
镭雕料号和日期代码
Radium carving number and date code
The sample
FSP200180C*-UM81* XXXX

年份 year
周数 week



键位标识 Key identification W、Z、X、Y、U、V、N

主键位识别区域
Primary key identification area



ITEM	PART NUMBER	Qty	DESCRIPTION	REMARK
MATERIALS LIST				
UNLESS OTHERWISE SPECIFIED 1) All dimensions are in metric(mm). 2) Tolerances are as follows: 1 PL DEC ±1.00 2 PL DEC ±0.50 Fractions ±1/64 3 PL DEC ±0.25 Angles ±2'			MATERIAL SPECIFICATIONS: SEE TABLE	www.metabee.com
DRAWING TYPE CUSTOMER DRAWING			METABEE LIMITED	
PART NO: FSP2*0180C*-UM81*			8.0连接器插座 (IP67B)	
SIGNATURE CXL 2020.3.11			FSCM NO. 文件编号 幅面 质量 版次 比例 A4 9 A7 1:1	
DRAWING NO: S-FSP*0180C*-UM81*			SHEET 1 OF 1	