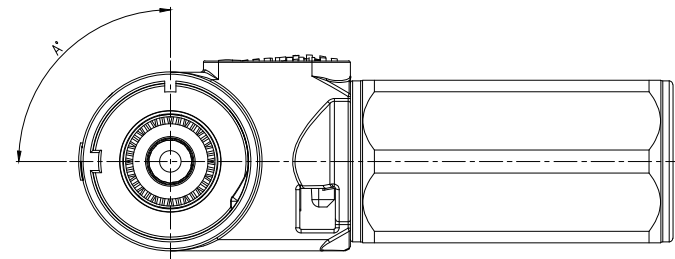
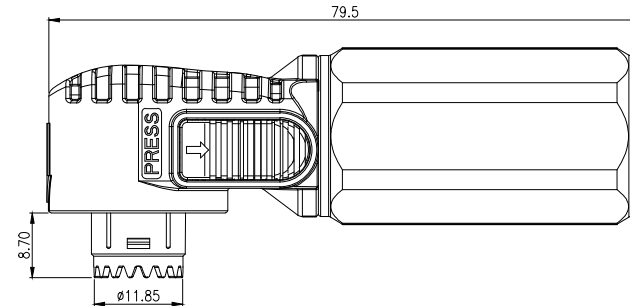
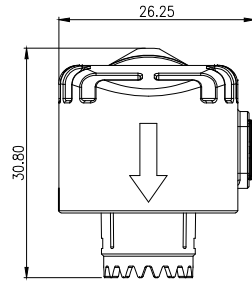
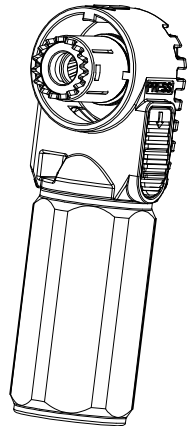


REVISIONS					
REV	ECN NO	DESCRIPTION	DATE	BY	APPR
A1	--	RELEASE DRAWING	2019.12.02	Devin	BENSON
A2	--	优化结构	2019.12.26	Devin	BENSON



NOTE:

- 外观表面无划痕、划伤、污渍、异物等缺陷
No scratches, scratches, stains, foreign matter and other defects on the appearance surface
- 产品功能说明参考TABLE 1
Product Function Description Reference TABLE 1
- 产品使用PE袋+纸箱包装
Products are packaged in PE bags + cartons
- 产品符合ROHS
Products conform to ROHS

键位 (A°) Key (A°)	90°	W键位 Key-W
	180°	X键位 Key-X
	247°	Y键位 Key-Y
	293°	Z键位 Key-Z
	67°	U键位 Key-U
	113°	V键位 Key-V
	无键位without Key	N

镭雕料号和日期代码
Radium carving number
and date code
示例The sample
FSP800160T*~**U0**
XX XX
年份 year 周数 weeks

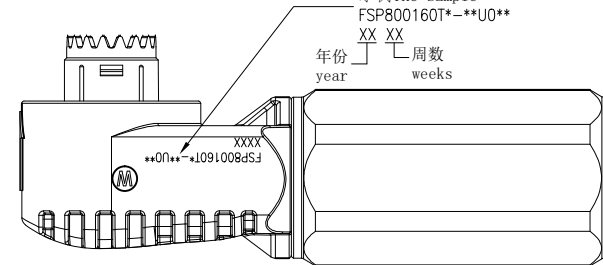


TABLE 1:

项目 Item	规格 SPEC
额定电流 rated current	70A/80A/125A
接线规格 Wiring specifications	10mm ² /16mm ² /25mm ²
工作电压 Operating voltage	UL DC600V / TUV DC1500V
工作温度 Operating temperature	-40°C~+125°C
温升 Temperature rise	MAX 40K
耐电压 breakdown voltage	UL3000V AC / TUV 3310V AC
绝缘电阻 Insulation resistance	5000MΩ MIN(干燥 drying) 200MΩ MIN(RH 95%)
接触电阻 Contact resistance	0.3 mΩ max
寿命 Durability life	500次 500cycling
盐雾 salt fog	144H (配合状态下 Matching state)
防护等级 Protection Level	IP67B
端子材质 Terminal material	铜合金 Copper alloy
防火等级 Fire rating	UL94-V0
螺母扭矩 Nut torque	1.0~1.2N.M

ITEM	PART NUMBER	Qty	DESCRIPTION	REMARK
MATERIALS LIST				
UNLESS OTHERWISE SPECIFIED 1) All dimensions are in metric(mm). 2) Tolerances are as follows: 1 PL DEC ±1.00 2 PL DEC ±0.50 Fractions ±1/64 3 PL DEC ±0.25 Angles ±2'			MATERIAL SPECIFICATIONS: SEE TABLE	www.metabee.com
签名 SIGNATURE 日期 DATE			DRAWING TYPE CUSTOMER DRAWING	METABEE LIMITED
制图 DRAWN 审核 CHECKED 工艺 ENGINEER 批准 APPROVAL 客户 CUSTOMER	Devin	2019.12.26		6.0单芯弯头连接器插头 (防水板)
PART NO: FSP800160T*~**U0**				第三角投影 THIRD ANGLE PROJECTION
SHEET 1 OF 2			DWG NO: S-FSP800160T~**U0**	


REVISIONS					
REV	ECN NO	DESCRIPTION	DATE	BY	APPR
A1	--	RELEASE DRAWING	2019.12.02	Devin	BENSON
A2	--	优化结构	2019.12.26	Devin	BENSON

料号P/N	键位 Key	颜色Color	电极Electrode	接线规格wire spec	备注Remarks		
FSP800160TW-10U0B1	W键位 Key-W	黑色Black	负极Cathode	10平方非屏蔽 10mm ² un-shield 适配线径范围: OD of Wire φ6.30~φ7.10			
FSP800160TZ-10U0A1	Z键位 Key-Z	橙色Orange	正极Anode				
FSP800160TX-10U0A1	X键位 Key-X	橙色Orange	正极Anode				
FSP800160TY-10U0A1	Y键位 Key-Y						
FSP800160TU-10U0B1	U键位 Key-U	黑色Black	负极Cathode				
FSP800160TV-10U0B1	V键位 Key-V						
FSP800160TN-10U0B1	无键位N Without Key	黑色Black	负极Cathode				
FSP800160TN-10U0A1	无键位N Without Key	橙色Orange	正极Anode				
FSP800160TW-16U0B1	W键位 Key-W	黑色Black	负极Cathode			16平方非屏蔽 16mm ² un-shield 适配线径范围: OD of Wire φ7.70~φ8.50	一次锁 A lock
FSP800160TZ-16U0A1	Z键位 Key-Z	橙色Orange	正极Anode				
FSP800160TX-16U0A1	X键位 Key-X	橙色Orange	正极Anode				
FSP800160TY-16U0A1	Y键位 Key-Y						
FSP800160TU-16U0B1	U键位 Key-U	黑色Black	负极Cathode				
FSP800160TV-16U0B1	V键位 Key-V						
FSP800160TN-16U0B1	无键位N Without Key	黑色Black	负极Cathode				
FSP800160TN-16U0A1	无键位N Without Key	橙色Orange	正极Anode				
FSP800160TW-25U0B1	W键位 Key-W	黑色Black	负极Cathode	25平方非屏蔽 25mm ² un-shield 适配线径范围: OD of Wire φ9.70~φ10.50			
FSP800160TZ-25U0A1	Z键位 Key-Z	橙色Orange	正极Anode				
FSP800160TX-25U0A1	X键位 Key-X	橙色Orange	正极Anode				
FSP800160TY-25U0A1	Y键位 Key-Y						
FSP800160TU-25U0B1	U键位 Key-U	黑色Black	负极Cathode				
FSP800160TV-25U0B1	V键位 Key-V						
FSP800160TN-25U0B1	无键位N Without Key	黑色Black	负极Cathode				
FSP800160TN-25U0A1	无键位N Without Key	橙色Orange	正极Anode				

键位(W、Z为常用键位)
KEY(W&Z are standing keys)

料号P/N	键位 Key	颜色Color	电极Electrode	接线规格wire spec	备注Remarks		
FSP800160TW-10U0B2	W键位 Key-W	黑色Black	负极Cathode	10平方非屏蔽 10mm ² un-shield 适配线径范围: OD of Wire φ6.30~φ7.10			
FSP800160TZ-10U0A2	Z键位 Key-Z	橙色Orange	正极Anode				
FSP800160TX-10U0A2	X键位 Key-X	橙色Orange	正极Anode				
FSP800160TY-10U0A2	Y键位 Key-Y						
FSP800160TU-10U0B2	U键位 Key-U	黑色Black	负极Cathode				
FSP800160TV-10U0B2	V键位 Key-V						
FSP800160TN-10U0B2	无键位N Without Key	黑色Black	负极Cathode				
FSP800160TN-10U0A2	无键位N Without Key	橙色Orange	正极Anode				
FSP800160TW-16U0B2	W键位 Key-W	黑色Black	负极Cathode			16平方非屏蔽 16mm ² un-shield 适配线径范围: OD of Wire φ7.70~φ8.50	二次锁 Secondary lock
FSP800160TZ-16U0A2	Z键位 Key-Z	橙色Orange	正极Anode				
FSP800160TX-16U0A2	X键位 Key-X	橙色Orange	正极Anode				
FSP800160TY-16U0A2	Y键位 Key-Y						
FSP800160TU-16U0B2	U键位 Key-U	黑色Black	负极Cathode				
FSP800160TV-16U0B2	V键位 Key-V						
FSP800160TN-16U0B2	无键位N Without Key	黑色Black	负极Cathode				
FSP800160TN-16U0A2	无键位N Without Key	橙色Orange	正极Anode				
FSP800160TW-25U0B2	W键位 Key-W	黑色Black	负极Cathode	25平方非屏蔽 25mm ² un-shield 适配线径范围: OD of Wire φ9.70~φ10.50			
FSP800160TZ-25U0A2	Z键位 Key-Z	橙色Orange	正极Anode				
FSP800160TX-25U0A2	X键位 Key-X	橙色Orange	正极Anode				
FSP800160TY-25U0A2	Y键位 Key-Y						
FSP800160TU-25U0B2	U键位 Key-U	黑色Black	负极Cathode				
FSP800160TV-25U0B2	V键位 Key-V						
FSP800160TN-25U0B2	无键位N Without Key	黑色Black	负极Cathode				
FSP800160TN-25U0A2	无键位N Without Key	橙色Orange	正极Anode				

键位(W、Z为常用键位)
KEY(W&Z are standing keys)

ITEM	PART NUMBER	Qty	DESCRIPTION	REMARK
MATERIALS LIST				
UNLESS OTHERWISE SPECIFIED 1) All dimensions are in metric(mm). 2) Tolerances are as follows: 1 PL DEC ±1.00 2 PL DEC ±0.50 Fractions ±1/64 3 PL DEC ±0.25 Angles ±2°			MATERIAL SPECIFICATIONS: SEE TABLE	www.metabee.com
SIGNATURE: _____ DATE: _____ 制图 DRAWN: Devin 2019.12.26			DRAWING TYPE: CUSTOMER DRAWING	METABEE LIMITED
审核 CHECKED: _____ 工艺 ENGINEER: _____ 批准 APPROVAL: _____ 客户 CUSTOMER: _____			6.0单芯弯头连接器插头(防水板)	
			PART NO: FSP800160T*_*U0**	
				
			第三角投影 THIRD ANGLE PROJECTION 文件编号 FSCM NO. 幅面 SIZE 质量 MASS 版次 REV. 比例 SCALE A4 9 A2 1:1 SHEET 2 OF 2 DWG NO: S-FSP800160T*_*U0**	