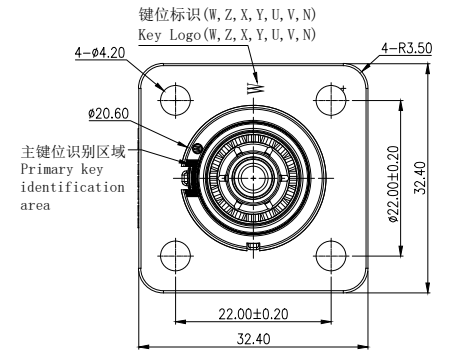
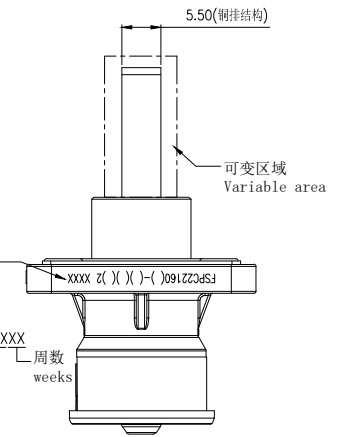
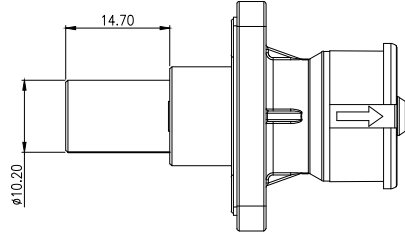
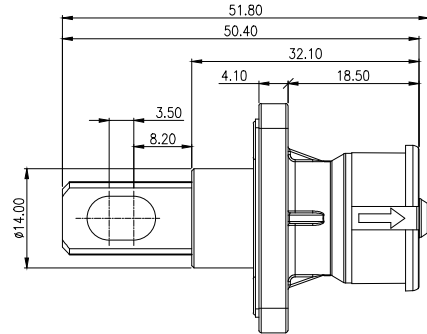
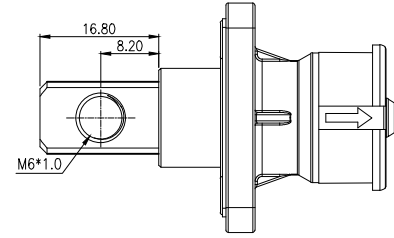
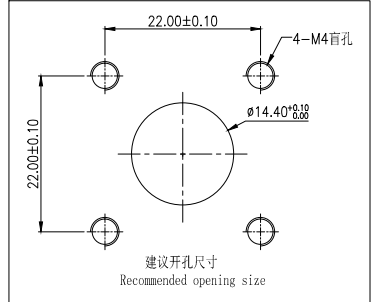


| REVISIONS | | | | | |
|-----------|--------|-----------------|----------|-------|--------|
| REV | ECN NO | DESCRIPTION | DATE | BY | APPR |
| A1 | -- | RELEASE DRAWING | 20.07.17 | Devin | BENSON |



NOTE:

- 外观表面无划痕、划伤、污渍，异物等缺陷
No scratches, scratches, stains, foreign matter and other defects on the appearance surface
- 产品功能说明参考TABLE 1
Product Function Description Reference TABLE 1
- 产品使用PE袋+纸箱包装
Products are packaged in PE bags + cartons
- 产品符合ROHS
Products conform to ROHS
- M4组合螺丝锁紧面板扭矩为1.2~1.4N.M
Torque of M4 combination screw locking panel is 1.2~1.4N.M
- 要求使用带“瞬间制动”（达到设定扭力后即停止，并发出嗒嗒声）电批锁螺丝，不可使用无“瞬间制动”电批，若无符合上述要求之电批，可使用扭力扳手
We should use the electric screwdriver with "instant brake" (stop immediately after reaching setting torque and make a click) to lock screw, and the screwdriver without "instant brake" cannot be used. If there is no screwdriver with "instant brake", can use Torque spanner

TABLE 1:

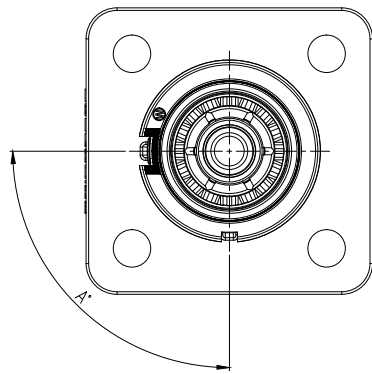
| 项目 items | 规格 SPEC |
|-----------------------------|---|
| 额定电流 rated current | 70A/80A/125A |
| 接线规格 Wiring specifications | 10mm ² /16mm ² /25mm ² |
| 工作电压 Operating voltage | TUV DC600V |
| 工作温度 Operating temperature | -40°C~+85°C |
| 温升 Temperature rise | MAX 40K |
| 耐电压 breakdown voltage | TUV 2210V AC |
| 绝缘电阻 Insulation resistance | 5000MΩ MIN(干燥 drying) 200MΩ MIN(RH 95%) |
| 接触电阻 Contact resistance | 0.3 mΩ max |
| 寿命 Durability life | 500次 500cycling |
| 盐雾 salt fog | 144H (配合状态下 Matching state) |
| 防护等级 Protection Level | IP67B |
| 端子材质 Terminal material | 铜合金 Copper alloy |
| 防火等级 Fire rating | UL94-V0 |
| M6 (腰型孔与铜排螺纹孔) 扭矩 M6 torque | 安装扭矩(locking torque) 6~6.5N.M |

| ITEM | PART NUMBER | Qty | DESCRIPTION | REMARK |
|--|-------------|-----|---------------------------------------|---|
| MATERIALS LIST | | | | |
| UNLESS OTHERWISE SPECIFIED 1) All dimensions are in metric(mm). 2) Tolerances are as follows: 1 PL DEC ±1.00 2 PL DEC ±0.50 Fractions ±1/64 3 PL DEC ±0.25 Angles ±2' | | | MATERIAL SPECIFICATIONS: SEE TABLE | www.metabee.com |
| 签名 SIGNATURE 日期 DATE 制图 DRAWN Devin 20.07.17 审核 CHECKED 工艺 ENGINEER 批准 APPROVAL 客户 CUSTOMER | | | DRAWING TYPE CUSTOMER DRAWING | 6.0单芯弯头连接器插座(短款、大法兰) IP67B PART NO: FSPC22160()-() () 2 第三角投影 THIRD ANGLE PROJECTION 文件编号 FSCM NO. 版面 SIZE 质量 MASS 版次 REV. 比例 SCALE A4 9 A1 1:1 SHEET 1 OF 1 DWG NO: S-FSPC22160()-() () 2 |

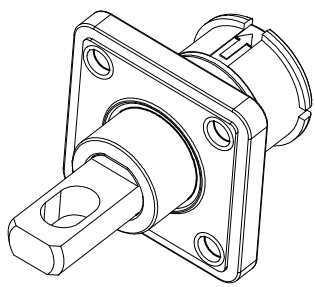


| REVISIONS | | | | | |
|-----------|--------|-----------------|----------|-------|--------|
| REV | ECN NO | DESCRIPTION | DATE | BY | APPR |
| A1 | -- | RELEASE DRAWING | 20.07.17 | Devin | BENSON |

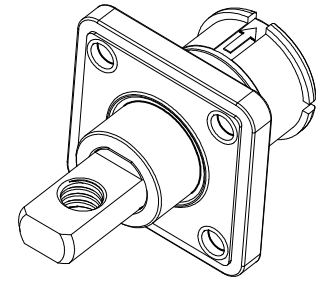
| 料号P/N | 键位 Key | 颜色Color | 备注Remarks | | |
|-----------------|-----------|-----------|----------------------|---|---|
| FSPC22160W-A6B2 | W键位 Key-W | 黑色 Black | 常用键位 Standing key | 铜排M6腰型过孔 Copper row M6 waist through hole | |
| FSPC22160Z-A6A2 | Z键位 Key-Z | 橙色 Orange | | | |
| FSPC22160Z-A6R2 | | 红色 Red | | | |
| FSPC22160X-A6A2 | X键位 Key-X | 橙色 Orange | 备用键位 Uncommon key | | |
| FSPC22160Y-A6A2 | Y键位 Key-Y | 橙色 Orange | | | |
| FSPC22160U-A6B2 | U键位 Key-U | 黑色 Black | 备用键位 Uncommon key | | |
| FSPC22160V-A6B2 | V键位 Key-V | | | | |
| FSPC22160N-A6A2 | N键位 Key-N | 橙色 Orange | 无键位 without key | | |
| FSPC22160N-A6B2 | | 黑色 Black | | | |
| FSPC22160N-A6R2 | | 红色 Red | | | |
| FSPC22160W-M6B2 | W键位 Key-W | 黑色 Black | 常用键位 Standing key | | 铜排M6螺纹孔 Copper row M6 threaded hole |
| FSPC22160Z-M6A2 | Z键位 Key-Z | 橙色 Orange | | | |
| FSPC22160Z-M6R2 | | 红色 Red | | | |
| FSPC22160X-M6A2 | X键位 Key-X | 橙色 Orange | 备用键位 Uncommon key | | |
| FSPC22160Y-M6A2 | Y键位 Key-Y | 橙色 Orange | | | |
| FSPC22160U-M6B2 | U键位 Key-U | 黑色 Black | 备用键位 Uncommon key | | |
| FSPC22160V-M6B2 | V键位 Key-V | | | | |
| FSPC22160N-M6A2 | N键位 Key-N | 橙色 Orange | 无键位 without key | | |
| FSPC22160N-M6B2 | | 黑色 Black | | | |
| FSPC22160N-M6R2 | | 红色 Red | | | |
| FSPC22160W-25B2 | W键位 Key-W | 黑色 Black | 常用键位 Standing key | 10-25mm ² 压接孔 10-25mm ² Pore pressure | |
| FSPC22160Z-25A2 | Z键位 Key-Z | 橙色 Orange | | | |
| FSPC22160Z-25R2 | | 红色 Red | | | |
| FSPC22160X-25A2 | X键位 Key-X | 橙色 Orange | 备用键位 Uncommon key | | |
| FSPC22160Y-25A2 | Y键位 Key-Y | | | | |
| FSPC22160U-25B2 | U键位 Key-U | 黑色 Black | 备用键位 Uncommon key | | |
| FSPC22160V-25B2 | V键位 Key-V | | | | |
| FSPC22160N-25A2 | N键位 Key-N | 橙色 Orange | 无键位 without key | | |
| FSPC22160N-25B2 | | 黑色 Black | | | |
| FSPC22160N-25R2 | | 红色 Red | | | |



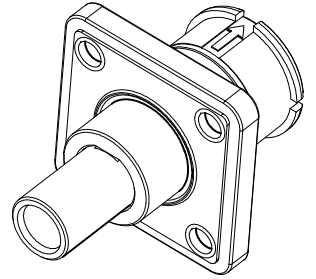
| | | |
|-------------------------|-----------------|-----------|
| 键位 (A°) Key (A°) | 90° | W键位 Key-W |
| | 180° | X键位 Key-X |
| | 247° | Y键位 Key-Y |
| | 293° | Z键位 Key-Z |
| | 67° | U键位 Key-U |
| | 113° | V键位 Key-V |
| | 无键位 without Key | N |



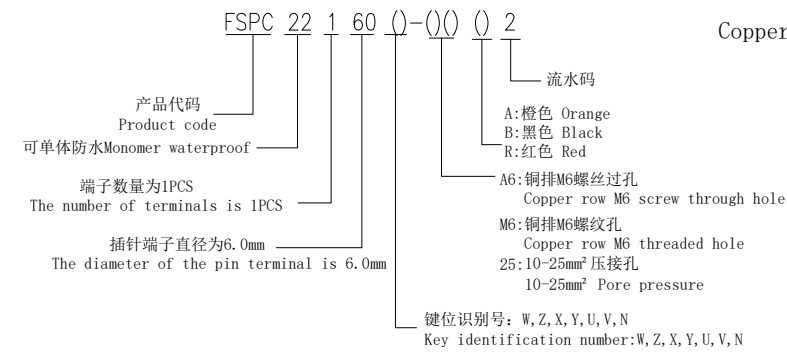
铜排M6腰型过孔
Copper row M6 waist through hole



铜排M6螺纹孔
Copper row M6 threaded hole



10-25mm² 压接孔
10-25mm² Pore pressure



| ITEM | PART NUMBER | Qty | DESCRIPTION | REMARK |
|--|-------------|----------|---------------------------------------|---|
| MATERIALS LIST | | | | |
| UNLESS OTHERWISE SPECIFIED 1) All dimensions are in metric(mm). 2) Tolerances are as follows: 1 PL DEC ±1.00 2 PL DEC ±0.50 Fractions ±1/64 3 PL DEC ±0.25 Angles ±2' | | | MATERIAL SPECIFICATIONS: SEE TABLE | www.metabee.com METABEE LIMITED |
| 签名 SIGNATURE 日期 DATE | | | DRAWING TYPE CUSTOMER DRAWING | 6.0单芯弯头连接器插座(短款、大法兰) 1P67B PART NO: FSPC22160()-() () 2 |
| 制图 DRAWN 审核 CHECKED 工艺 ENGINEER 批准 APPROVAL 客户 CUSTOMER | Devin | 20.07.17 | | 第三角投影 THIRD ANGLE PROJECTION |
| | | | | 文件编号 FSCM NO. 尺寸 SIZE 质量 MASS 版本 REV. 比例 SCALE |
| | | | | A4 9 A1 1:1 |
| | | | | DWG NO: S-FSPC22160()-() () 2 |
| | | | | SHEET 1 OF 1 |