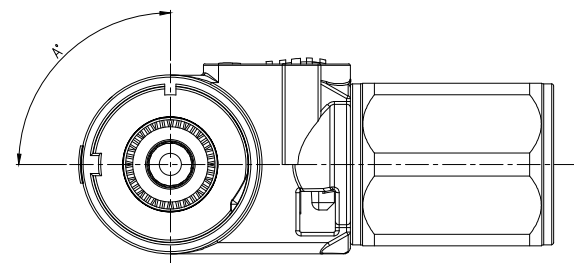
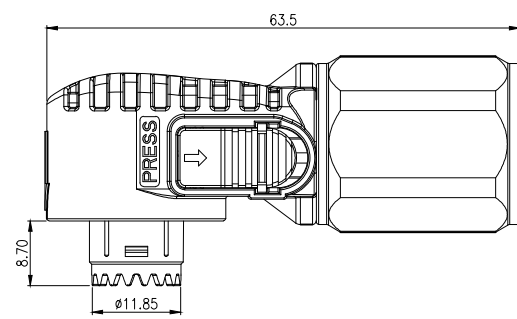
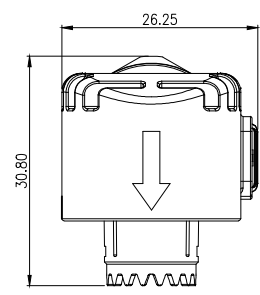
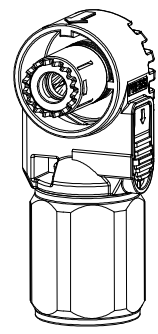


REVISIONS					
REV	ECN NO	DESCRIPTION	DATE	BY	APPR
A1	--	RELEASE DRAWING	20.07.20	Devin	BENSON



NOTE:

- 外观表面无划痕、划伤、污渍、异物等缺陷
No scratches, scratches, stains, foreign matter and other defects on the appearance surface
- 产品功能说明参考TABLE 1
Product Function Description Reference TABLE 1
- 产品使用PE袋+纸箱包装
Products are packaged in PE bags + cartons
- 产品符合ROHS
Products conform to ROHS

键位 (A°) Key (A°)	90°	W键位 Key-W
	180°	X键位 Key-X
	247°	Y键位 Key-Y
	293°	Z键位 Key-Z
	67°	U键位 Key-U
	113°	V键位 Key-V
	无键位without Key	N

镭雕料号和日期代码
Radium carving number
and date code
示例The sample
FSPC80160()-() () ()
XX XX
年份 year 周数 weeks

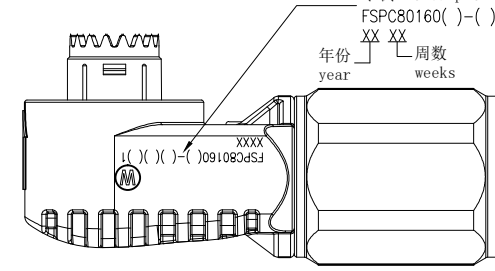


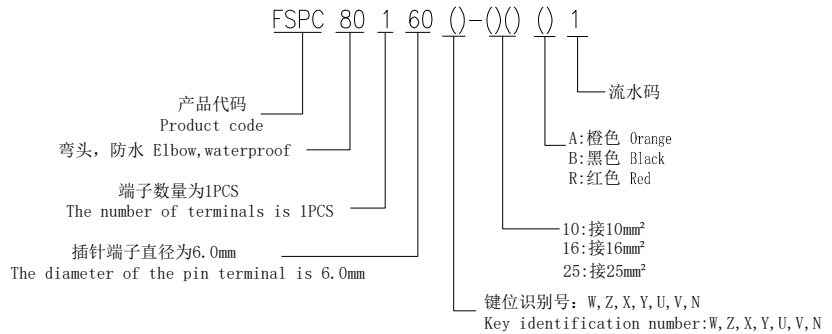
TABLE 1:

项目 Item	规格 SPEC
额定电流 rated current	70A/80A/125A
接线规格 Wiring specifications	10mm ² /16mm ² /25mm ²
工作电压 Operating voltage	TUV DC600V
工作温度 Operating temperature	-40°C~+85°C
温升 Temperature rise	MAX 40K
耐电压 breakdown voltage	TUV 2210V AC
绝缘电阻 Insulation resistance	5000MΩ MIN(干燥 drying) 200MΩ MIN(RH 95%)
接触电阻 Contact resistance	0.3 mΩ max
寿命 Durability life	500次 500cycling
盐雾 salt fog	144H (配合状态下 Matching state)
防护等级 Protection Level	IP67B
端子材质 Terminal material	铜合金 Copper alloy
防火等级 Fire rating	UL94-V0
螺母扭矩 Nut torque	1.0~1.2N.M

ITEM	PART NUMBER	Qty	DESCRIPTION	REMARK
MATERIALS LIST				
UNLESS OTHERWISE SPECIFIED 1) All dimensions are in metric(mm). 2) Tolerances are as follows: 1 PL DEC ±1.00 2 PL DEC ±0.50 Fractions ±1/64 3 PL DEC ±0.25 Angles ±2°			MATERIAL SPECIFICATIONS: SEE TABLE	www.metabee.com METABEE LIMITED
签名 SIGNATURE 日期 DATE			DRAWING TYPE CUSTOMER DRAWING	6.0单芯弯头连接器插头(短款) IP67B
制图 DRAWN	Devin	20.07.20		PART NO: FSPC80160()-() () () 1
审核 CHECKED				第三角投影 THIRD ANGLE PROJECTION
工艺 ENGINEER				文件编号 FSCM NO.
批准 APPROVAL				尺寸 SIZE
客户 CUSTOMER				质量 MASS
				版次 REV.
				比例 SCALE
				A4 9 A1 1:1
				SHEET 1 OF 2 DWG NO: S-FSPC80160()-() () () 1

REVISIONS					
REV	ECN NO	DESCRIPTION	DATE	BY	APPR
A1	--	RELEASE DRAWING	20.07.20	Devin	BENSON

料号P/N	键位 Key	颜色Color	电极Electrode	接线规格wire spec	
FSPC80160W-10B1	W键位 Key-W	黑色Black	负极Cathode	10平方非屏蔽 10mm ² un-shield 适配线径范围: OD of Wire φ5.70~φ6.10	
FSPC80160Z-10A1	Z键位 Key-Z	橙色Orange	正极Anode		
FSPC80160Z-10R1		红色Red			
FSPC80160X-10A1	X键位 Key-X	橙色Orange	正极Anode		
FSPC80160Y-10A1	Y键位 Key-Y				
FSPC80160U-10B1	无键位N Without Key	黑色Black	负极Cathode		
FSPC80160V-10B1		V键位 Key-V	黑色Black		负极Cathode
FSPC80160N-10B1		无键位N Without Key	黑色Black		负极Cathode
FSPC80160N-10A1	无键位N Without Key	橙色Orange	正极Anode		
FSPC80160N-10R1		红色Red	正极Anode		
FSPC80160W-16B1	W键位 Key-W	黑色Black	负极Cathode	16平方非屏蔽 16mm ² un-shield 适配线径范围: OD of Wire φ7.15~φ7.65	
FSPC80160Z-16A1	Z键位 Key-Z	橙色Orange	正极Anode		
FSPC80160Z-16R1		红色Red			
FSPC80160X-16A1	X键位 Key-X	橙色Orange	正极Anode		
FSPC80160Y-16A1	Y键位 Key-Y				
FSPC80160U-16B1	无键位N Without Key	黑色Black	负极Cathode		
FSPC80160V-16B1		V键位 Key-V	黑色Black		负极Cathode
FSPC80160N-16B1		无键位N Without Key	黑色Black		负极Cathode
FSPC80160N-16A1	无键位N Without Key	橙色Orange	正极Anode		
FSPC80160N-16R1		红色Red	正极Anode		
FSPC80160W-25B1	W键位 Key-W	黑色Black	负极Cathode	25平方非屏蔽 25mm ² un-shield 适配线径范围: OD of Wire φ8.15~φ8.65	
FSPC80160Z-25A1	Z键位 Key-Z	橙色Orange	正极Anode		
FSPC80160Z-25R1		红色Red			
FSPC80160X-25A1	X键位 Key-X	橙色Orange	正极Anode		
FSPC80160Y-25A1	Y键位 Key-Y				
FSPC80160U-25B1	无键位N Without Key	黑色Black	负极Cathode		
FSPC80160V-25B1		V键位 Key-V	黑色Black		负极Cathode
FSPC80160N-25B1		无键位N Without Key	黑色Black		负极Cathode
FSPC80160N-25A1	无键位N Without Key	橙色Orange	正极Anode		
FSPC80160N-25R1		红色Red	正极Anode		



键位(W、Z为常用键位)
KEY(W&Z are standing keys)

ITEM	PART NUMBER	Qty	DESCRIPTION	REMARK
MATERIALS LIST				
UNLESS OTHERWISE SPECIFIED 1) All dimensions are in metric(mm). 2) Tolerances are as follows: 1 PL DEC ±1.00 2 PL DEC ±0.50 Fractions ±1/64 3 PL DEC ±0.25 Angles ±2'			MATERIAL SPECIFICATIONS: SEE TABLE	www.metabee.com METABEE LIMITED
签名 SIGNATURE 日期 DATE			DRAWING TYPE CUSTOMER DRAWING	6.0单芯弯头连接器插头(短款) IP67B
制图 DRAWN 审核 CHECKED 工艺 ENGINEER 批准 APPROVAL 客户 CUSTOMER	Devin	20.07.20		PART NO: FSPC80160()-() () 1
				第三角投影 THIRD ANGLE PROJECTION
				⊕ ⊖ A4 9 A1 1:1
				SHEET 2 OF 2 DWG NO: S-FSPC80160(X)(X)(X)1