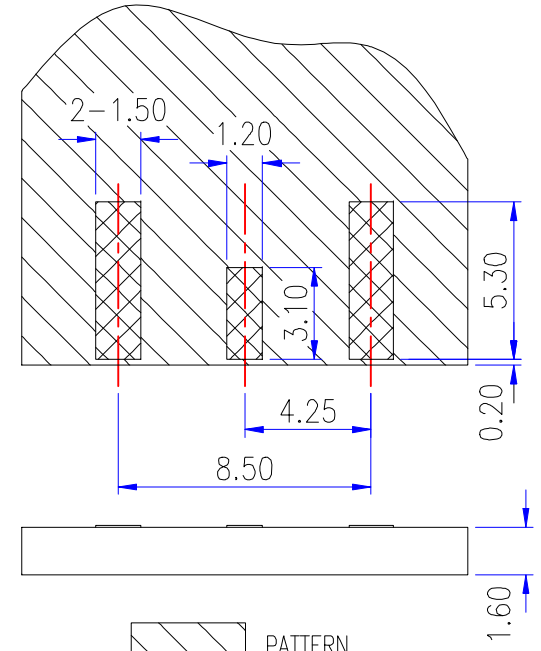
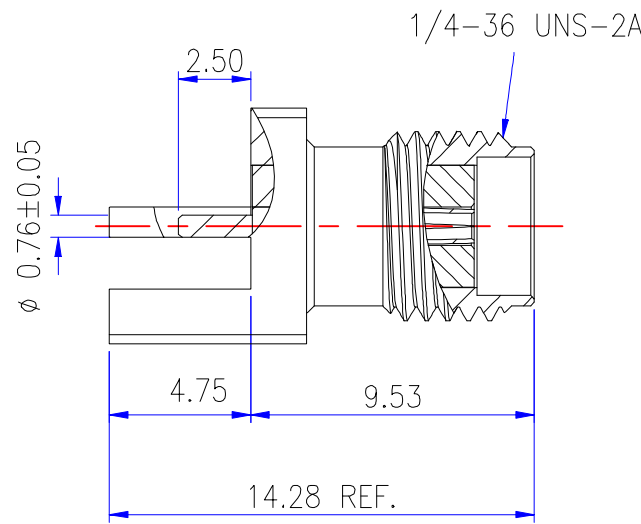
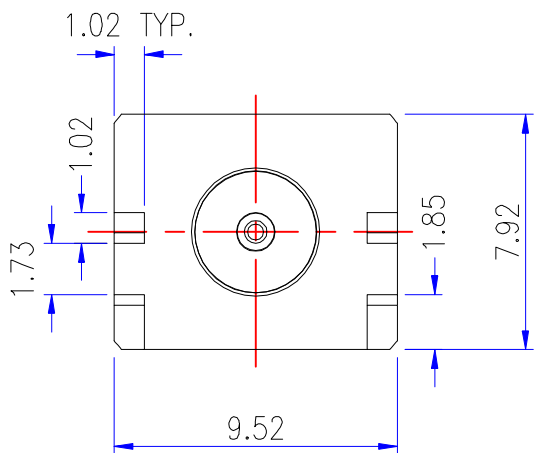


SCALE 2:1

Product NO.	RHT-612-0096			
REV	DESCRIPTION	DWN	DATE	APPROVEN
A	First issue	Mr. LI	2016/3/25	JIM JING



P.C.B. LAYOUT DIM.

**Specifications:**

- IMPEDANCE: 50 Ohms
- Frequency range: 0~6GHZ
- VSWR: 1.5MAX
- Working voltage: 500V rms @ sea level
- Insulation resistance: 5000 Ohms min
- Temperature range: -65°C TO +165°C
- Relative temperature: ≤95%(40° C±2° C)

NOTE:

Tolerance	0-6 ±0.10 6-30 ±0.20 30-120 ±0.30 Angular ±2°
View	
UNIT	MM
SCALE	1:1



**RENHOTEC GROUP**

5				
4				
3	CONTACT PIN	BRASS	GOLD	1
2	INSULATOR	TEFLON	WHITE	1
1	BODY	BRASS	GOLD	1
NO	DESCRIPTION	MATERIAL	FINISHED	QTY

DRAWN	Zelin. LI	2016/03/25
CHECKED		
APPROVALS	<i>John King</i>	29.03.2016

Name: SMA Jack Right angle PCB Mount			
SIZE	Product NO. RHT-612-0096	REV	
A			
Date	Time	CAD FILE	SHEET: 1 OF 1
2016/3/25		D/company drawings/BD	