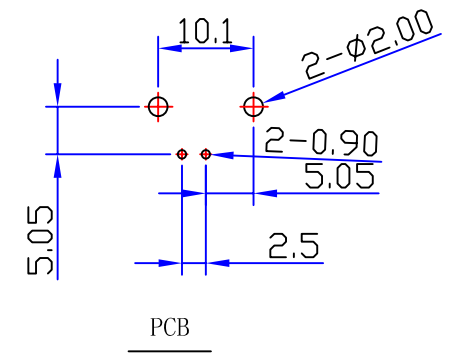
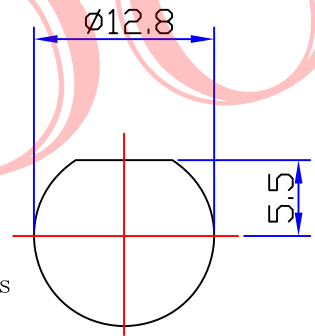
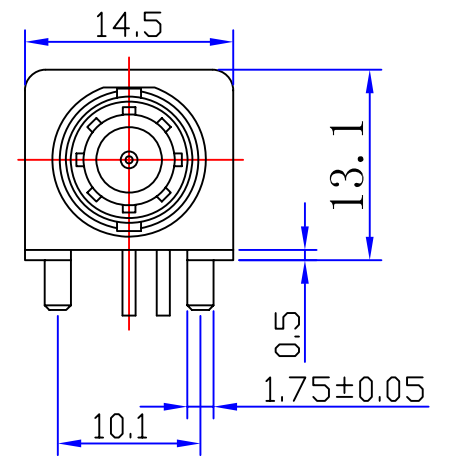
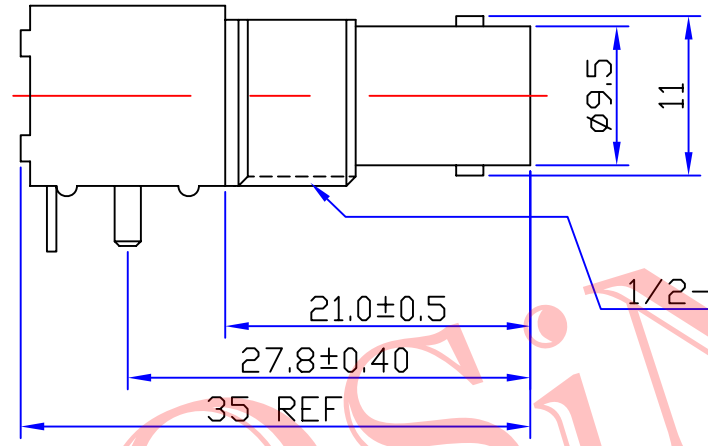
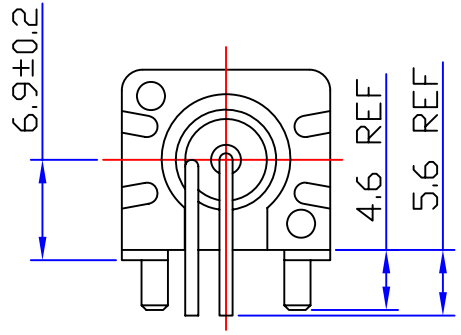




| | | | | |
|-------------|-------------|----------------|------------|-----------|
| Product NO. | | DOSIN-801-0047 | | |
| REV | DESCRIPTION | DWN | DATE | APPROVEN |
| A | First issue | JIM | 2012/11/02 | John kine |



Specifications

Impedance: 75 Ohms
 Frequency Range: DC~3G
 VSWR: 1.3MAX
 Working Voltage: 500V rms @ sea level
 Insulation Resistance: 5000 Ohms min
 Temperature Range: -55°C TO +155°C
 Relative Temperature: ≤95% (40° C ±2° C)
 Drawings products are in line with ROHS standards

| | | | |
|----|------------------|----------|-------------|
| 1 | Body | Zinc | NI:80-120u" |
| 2 | Center contact | Brass | AU:1u" |
| 3 | Lead | Iron | AU:1u" |
| 4 | Fixed footrest | Iron | NI:80-120u" |
| 5 | Insulator | POM | BLACK |
| 6 | Fixed mount | PBT | BLACK |
| 7 | Washer | Brass | NI:80-120u" |
| 8 | Hex nut | Brass | NI:80-120u" |
| 9 | | | |
| 10 | | | |
| NO | Component Number | Material | Finish |

NOTE:
 DRAWN: Zelin. Zhang 2012/11/10
 CHECKED:
 APPROVALS: John Kine 12/04.2012

| | |
|-----------|---|
| Tolerance | 0-6 ±0.20 6-30 ±0.30 30-120 ±0.5 Angular ±2° |
| View | |
| UNIT | MM |
| SCALE | 1:1 |

| | | |
|--|--------------------------------|---|
| Dosin Industrial(H.K)Co.Ltd 东莞市德索五金电子制品有限公司 Dosin Hardware Electronics Co.,Ltd | | E-mail: dosin2005@163.com dosin2005@dosin-china.com Web: http://www.dosinconn.com TEL: (0086)769-81153906 FAX: (0086)769-81875836 |
| Name: BNC BLACK JACK CONNECTOR (13.1MM) | | |
| SIZE A | Product NO. DOSIN-801-0047 | REV B |
| DateTime 2012/11/02 | CAD FILE D/company drawings/BD | SHEET: 1 OF 1 |