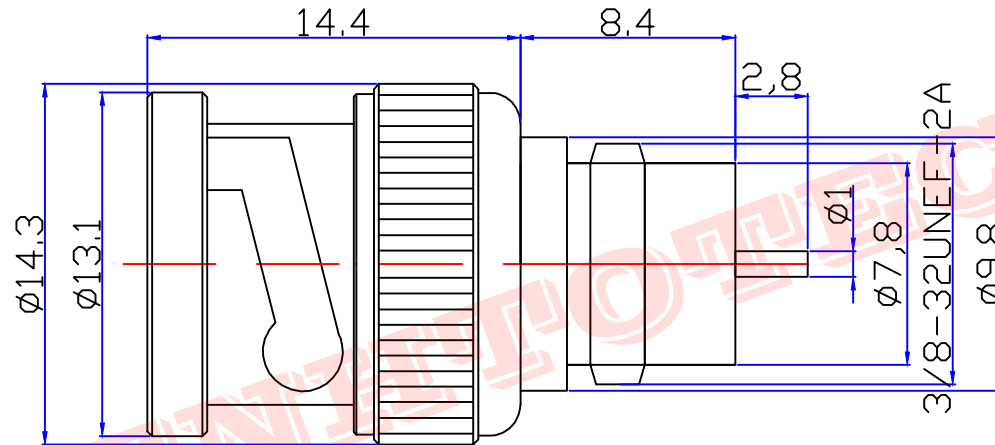




Product NO.	RHT-610-1040			
REV	DESCRIPTION	DWN	DATE	APPROVEN
A	First issue	Mr.chen	2016/03/17	John kine



SPECIFICATIONS:

Impedance: 50-75 Ohms
 Frequency Range: DC~6G
 VSWR: 1.3max
 Working Voltage: 500v RMS @ SEA level
 Insulation Resistance: 5000 Ohms min
 Temperature Range: -40°C TO +140°C
 Drawings products are in line with ROHS standards

NOTE:		Tolerance	0-6 ±0.10
DRAWN			6-30 ±0.20
2016/03/17		View	30-120 ±0.30
Zelin. Zhang			Angular ±2°
CHECKED		UNIT	MM
APPROVALS		SCALE	1:1
John		DateTime	
17/03.2016		2016/03/17	



Name:		BNC PLUG	
SIZE	Product NO.	RHT-610-1040	REV
A			A
DateTime	CAD FILE	SHEET: 1 OF 1	
2016/03/17	D/company drawings/BD		

1	Body	Zinc	NI:80-120u"
2	Contact pin	Beryllium copper	Gold:1-1.5u"
3	Insulation	POM	None
4			
5			
NO	Component Number	Material	Finish
1			
2			
3			

Kine 3 4 5 6