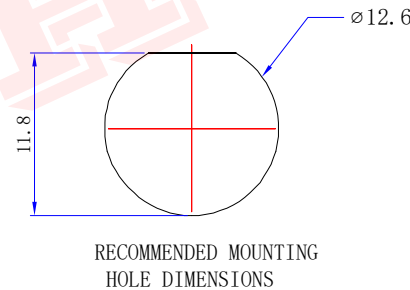
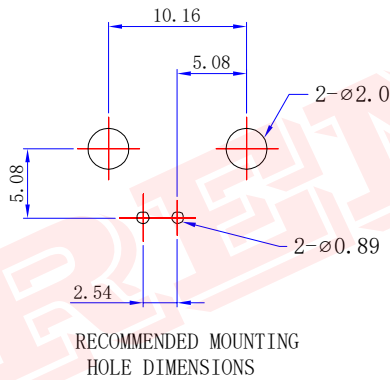
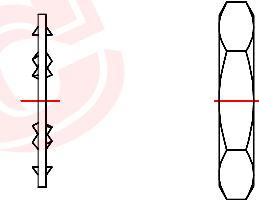
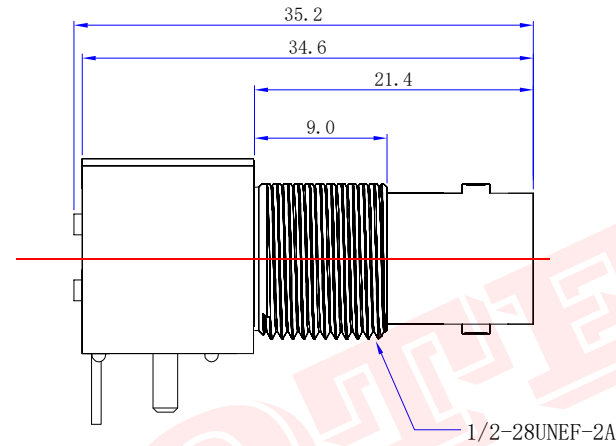
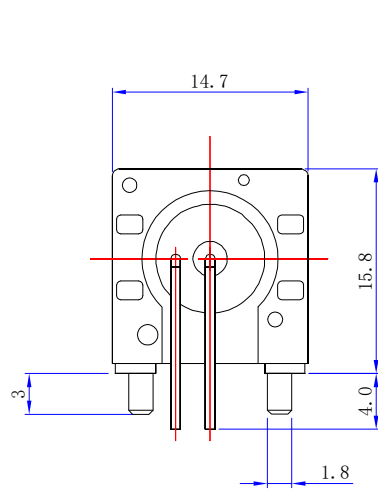




Product NO.

RHT-610-0048

REV	DESCRIPTION	DWN	DATE	APPROVEN
A	First issue	Mr. Wang	2016/03/08	JIM. KING
B	Harpoon feet changed to cylindrical feet	Gavin	2021/04/19	JIM. KING
C	Modify the size according to the real object	Gavin	2022/06/30	JIM. KING



Specifications
 Impedance: 50 Ohms
 Frequency Range: DC~3G
 VSWR: 1.3MAX
 Working Voltage: 500V rms @ sea level
 Insulation Resistance: 5000 MOhms min
 Temperature Range: -40°C TO +80°C
 Relative Temperature: ≤95% (40°C ±2°C)

8	Hex Nut	Brass	Ni:80-120u"	1
7	Washer	Brass	Ni:80-120u"	1
6	Fixed Mount	PBT	White	1
5	Insulator	POM	White	1
4	Fixed	Iron	Ni:80-120u"	1
3	Lead	Brass	AU:1u"	1
2	Center Contact	Brass	AU:1u"	1
1	BODY	WHITE		1
NO	DESCRIPTION	MATERIAL	FINISH	QTY

-TOLERANCES- UNLESS OTHERWISE SPECIFIED	RENHOTEC GROUP	
	PART DESCRIPTION: BNC WHITE JACK CONNECTOR (15.8MM)	
UNLESS OTHERWISE SPECIFIED TOLERANCES FOR MILLIMETERS ARE: 0.5 - 8mm ± 0.20mm 8 - 30mm ± 0.25mm 30 - 120mm ± 0.30mm	Appd: JIM. KING	P/N: RHT-610-0048
	Check:	Date: 2022.06.30
Draw: Gavin	Scale: Free	Unit: MM
	Type: Z	Page: 1/1