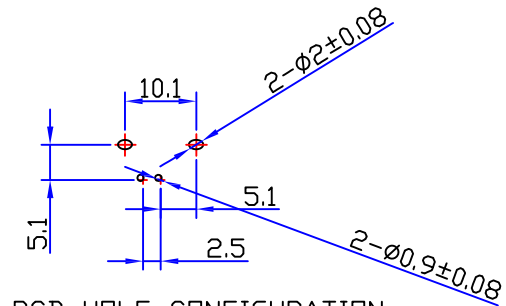
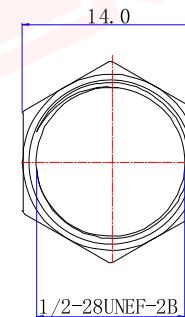
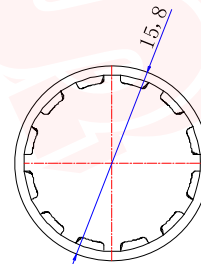
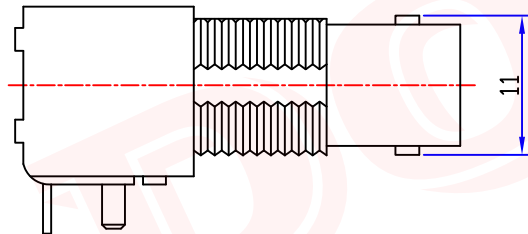
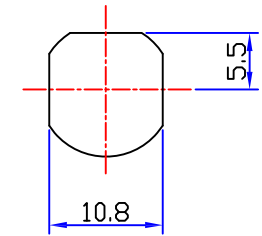
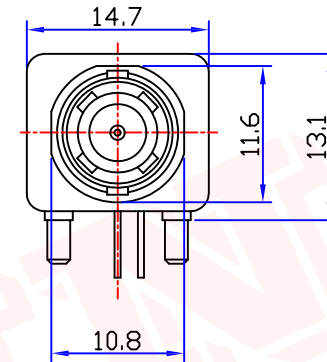
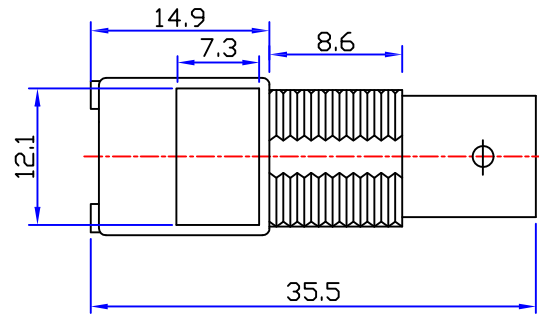
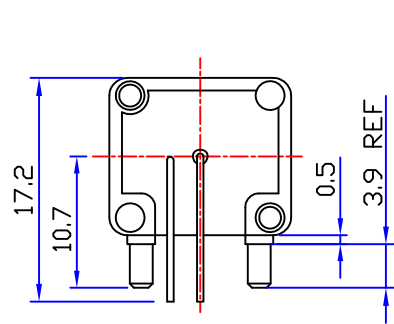




Product NO.		DOSIN-801-0030		
REV	DESCRIPTION	DWN	DATE	APPROVEN
A	First issue	Gavin	2019/06/05	John kine
B	BNC JACK PCB(13.1mm)	Gavin	2019/06/05	John kine



PCB HOLE CONFIGURATION
RECOMMENDED PANEL CUTOUTS

Specifications

Impedance:75 Ohms
 Frequency Range:DC~6G
 VSWR:1.3MAX
 Working Voltage:500V rms @ sea level
 Insulation Resistance:5000 Ohms min
 Temperature Range:-55°C TO +155°C
 Relative Temperature:≤95%(40° C±2° C)
 Drawings products are in line with ROHS standards

6	TR-0018-0	POM	WHITE	1
5	TR-0018-0	POM	WHITE	2
4	TR-0019-NI-0	IRON	NI:80-120u"	2
3	TR-0018-NI-0	IRON	NI:80-120u"	1
2	PN-0008-GL-0	BRASS	Au:1u"	2
1	BY-0005-NI-0	ZINC ALLOY	NI:80-120u"	2
NO	DESCRIPTION	MATERIAL	FINISH	QTY

Tolerance	X.	±0.20	Dosin Industrial (H.K) Co. Ltd 东莞市德索五金电子制品有限公司 Dosin Hardware Electronics Co., Ltd	dosin2005@dosin-china.com Web:http://www.china-guan.com TEL: (0086) 769-81153906 FAX: (0086) 769-81875836
	X.X	±0.15		
View	X.XX	±0.05	Name: BNC JACK PCB(13.1mm)	SIZE A Product NO. DOSIN-801-0030 REV B
	Angular	±5°		
UNIT	MM		DateTime	2019/06/05
SCALE	1:1		CAD FILE	D/company drawings/BD
			SHEET: 1 OF 1	