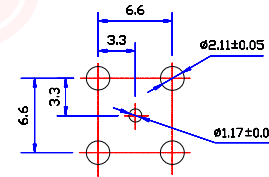
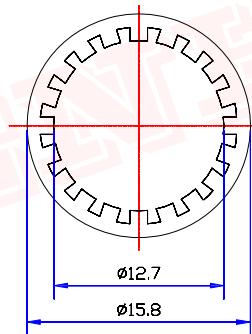
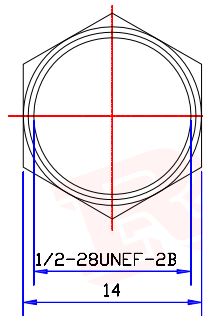
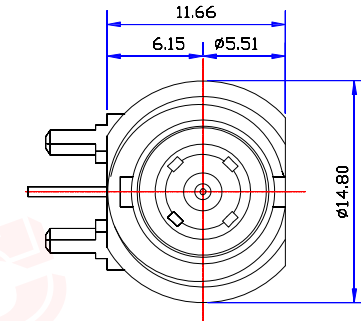
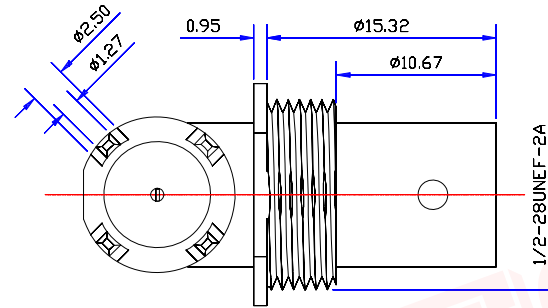
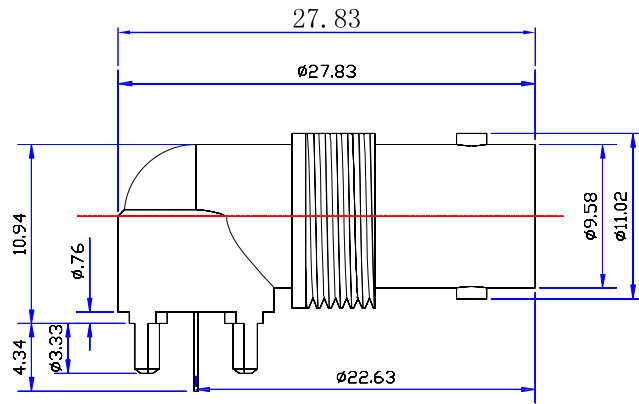
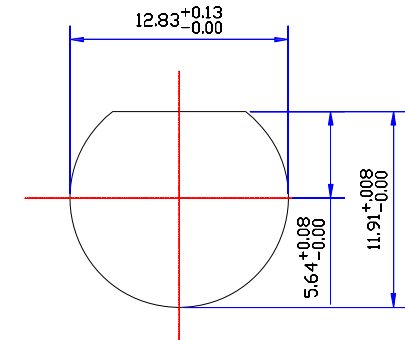




Product NO.		RHT-610-0034			
REV	DESCRIPTION	DWN	DATE	APPROVEN	
A	First issue	Gavin	2017/04/23	JIM. KING	



PCB HOLE CONFIGURATION
RECOMMENDED PANEL CUTOUTS



Specifications

Impedance: 75 Ohms
 Frequency Range: DC~6G
 VSWR: 1.3MAX
 Working Voltage: 500V rms @ sea level
 Insulation Resistance: 5000 Ohms min
 Temperature Range: -55°C TO +155°C
 Relative Temperature: ≤95% (40°C ± 2°C)
 Drawings products are in line with ROHS standards

NO	DESCRIPTION	MATERIAL	FINISH	QTY
3	CONTACT PLATING	BRASS	AU: 1u" - 2u"	2
2	INSULATING	POM	WHITE	1
1	BODY	ZINC	NI: 80u" - 120u"	1

-TOLERANCES- UNLESS OTHERWISE SPECIFIED UNLESS OTHERWISE SPECIFIED TOLERANCES FOR MILLIMETERS ARE: 0.5 - 8mm ± 0.10mm 8 - 30mm ± 0.15mm 30 - 120mm ± 0.20mm	 www.renhotec.com	RENHOTEC GROUP PART DESCRIPTION: BNC CONNECTOR DNN				
	Appd: JIM. KING Check: Draw: Gavin	P/N: RHT-610-0034 Date: 2017.04.23	Scale: Free	Unit: MM	Type: Z	Page: 1/1