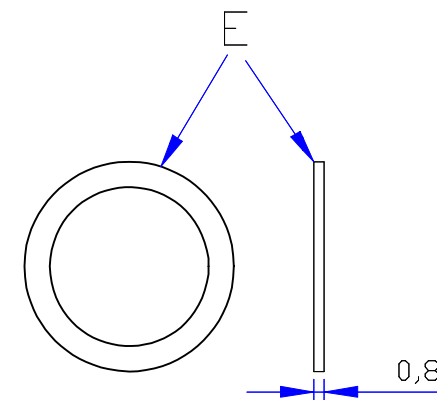
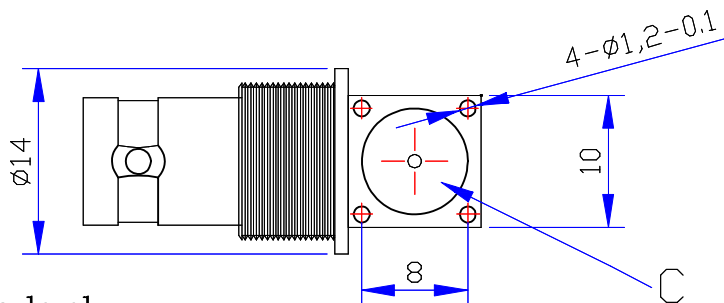
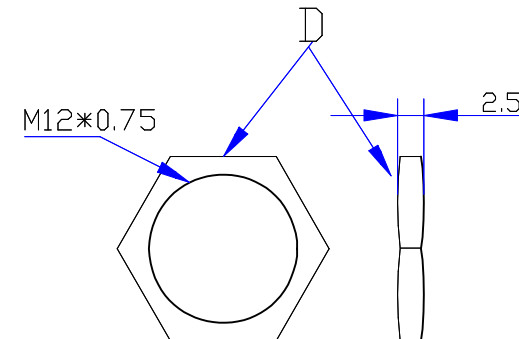
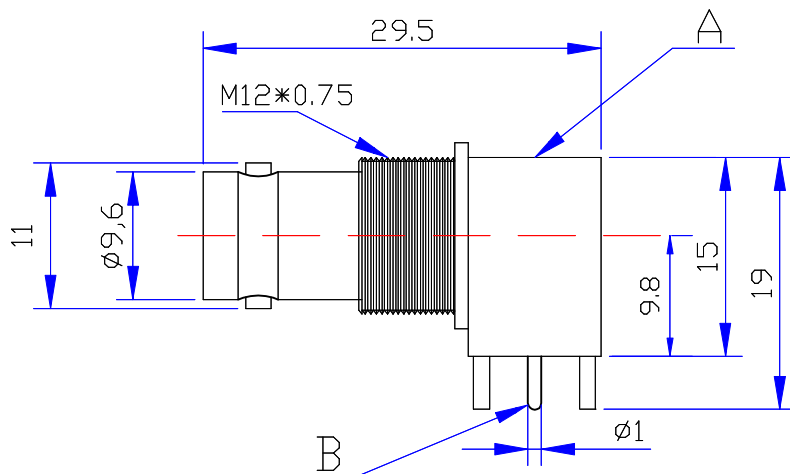




Product NO.	Renhotec-610-0032			
REV	DESCRIPTION	DWN	DATE	APPROVEN
A	First issue	Mr. Wang	2016/3/05	John kine



Specification:

Impedance: 50. Ohms

VSWR:1.3MAX

Frequency range:DC~4G

Working Voltage:500V rms @ sea level

Insulation resistance:5000 Ohms min

Temperature range:-55°C T0 +155°C

Relative temperature:≤95%(40° C±2° C)

Drawings products are in line with ROHS standards .

NOTE:

Tolerance

0-6	±0.10
6-30	±0.20
30-120	±0.30
Angular	±2°

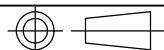


RENHOTEC GROUP

E	GASKET	TE	NICKEL	1
D	NUT	BRASS	NICKEL	1
C	INSULATOR	TEFLON	WHITE	1
B	CONTACT PLATING	BRASS	GOLD	1
A	BODY	BRASS	NICKEL	1
NO	DESCRIPTION	MATERIAL	FINISHED	QTY

DRAWN	2016/03/05
Zelin. Zhang	
CHECKED	
APPROVALS	
John Kine	09.03.2016

View



Name: BNC CONNECTOR DNN

UNIT

MM

SIZE

A

Product NO. RENHOTEC-610-0032

REV

B

SCALE

1:1

DateTime

2016/3/05

CAD FILE

D/company drawings/BD

SHEET: 1 OF 1