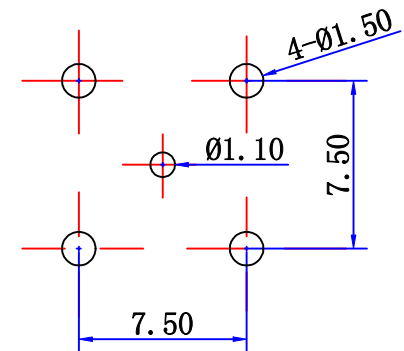
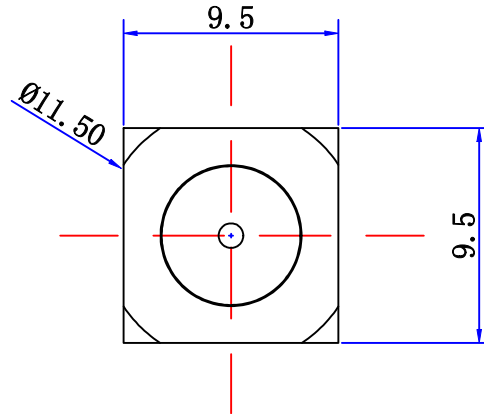
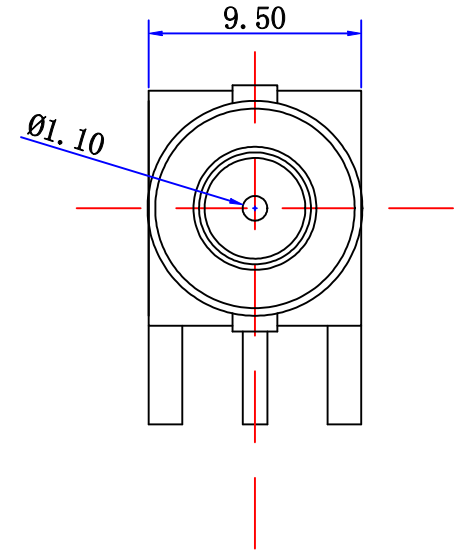
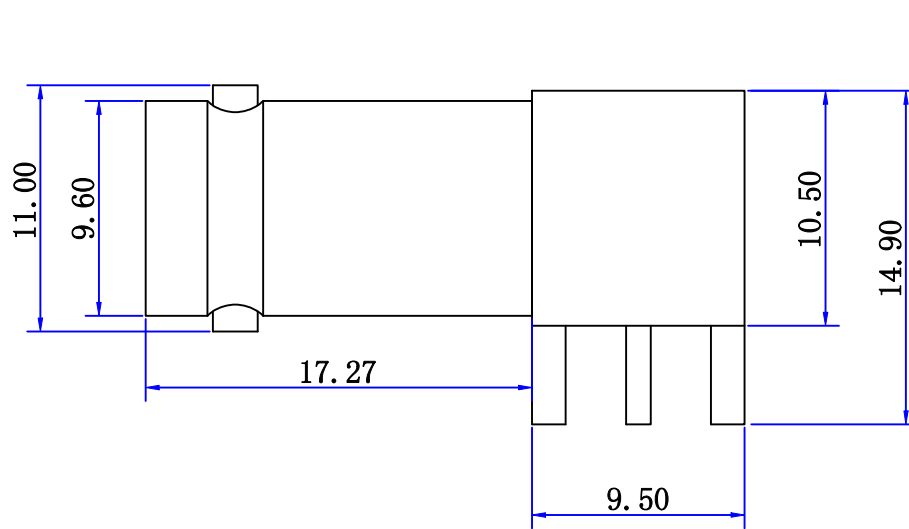




Product NO.	Renhotec-610-0027			
REV	DESCRIPTION	DWN	DATE	APPROVEN
A	First issue	Mr. Wang	2016/3/05	John kine



Specifications

Impedance: 50 Ohms
 Frequency Range: DC~3G
 VSWR: 1.3MAX
 Working Voltage: 500V rms @ sea level
 Insulation Resistance: 5000 Ohms min
 Temperature Range: -55°C TO +155°C
 Relative Humidity: ≤95% (40°C ±2°C)
 Drawings products are in line with ROHS standards

NOTE:		Tolerance	0-6 ±0.10 6-30 ±0.20 30-120 ±0.30 Angular ±2°
DRAWN	2016/03/05	View	
Zelin. Zhang		UNIT	MM
CHECKED		SCALE	1:1
APPROVALS		DateTime	CAD FILE
<i>John Kine</i> 09.03.2016		2016/3/05	D/company drawings/BD



RENHOTEC GROUP

Name: BNC JACK CONNECTOR DNN

SIZE	Product NO. RENHOTEC-610-0027	REV
A		B
DateTime	CAD FILE	SHEET: 1 OF 1
2016/3/05	D/company drawings/BD	

C	INSULATOR	POM	NONE	1
B	CONTACT PLATING	BRASS	GOLD	1
A	BODY	BRASS	NICKEL	1
NO	DESCRIPTION	MATERIAL	FINISHED	QTY