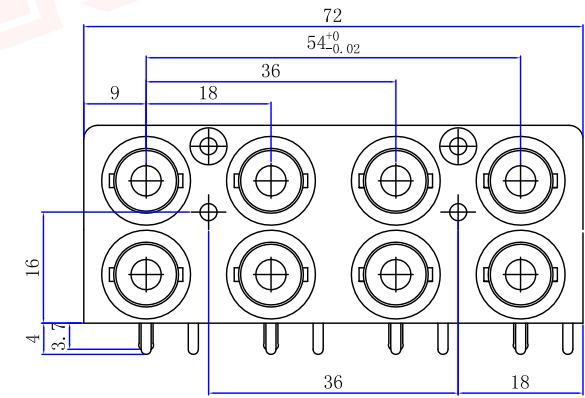
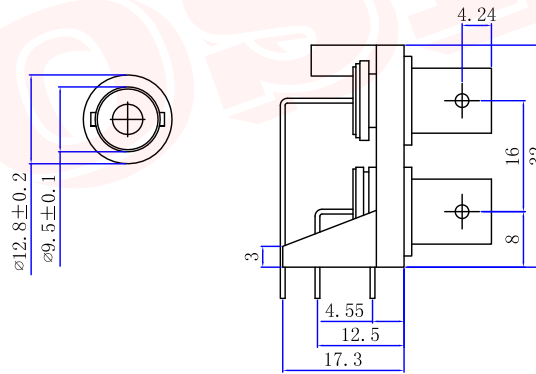
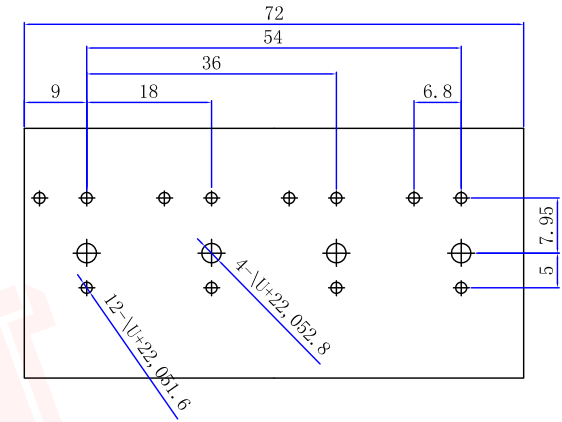
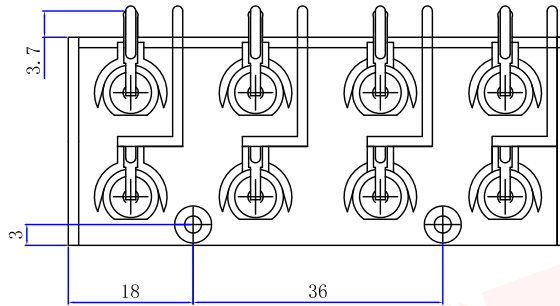
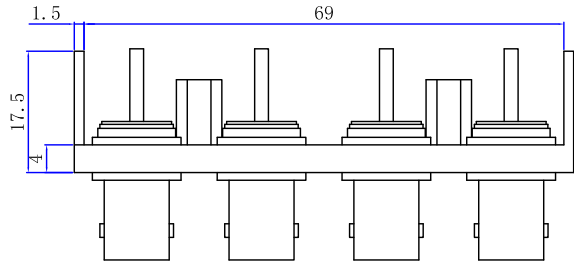




| | | | | |
|-------------|-------------|----------------|------------|-----------|
| Product NO. | | DOSIN-801-0018 | | |
| REV | DESCRIPTION | DWN | DATE | APPROVEN |
| A | First issue | Gavin | 2018/08/27 | John kine |
| B | | | | |



Specifications

Impedance:50 Ohms
 Frequency Range:DC~3G
 VSWR:1.3MAX
 Working Voltage:500V rms @ sea level
 Insulation Resistance:5000 Ohms min
 Temperature Range:-55°C TO +155°C
 Relative Temperature:≤95%(40° C±2° C)
 Drawings products are in line with ROHS standards

| | | | | |
|----|---------------|------------|--------|-----|
| 6 | | | | |
| 5 | Solder Column | Iron | NICKEL | 8 |
| 4 | IRON PLATES | Iron | NICKEL | 1 |
| 3 | PIN | BRASS | NICKEL | 8 |
| 2 | Insulation | PBT | BLACK | 1 |
| 1 | BODY | ZINC ALLOY | NICKEL | 8 |
| NO | DESCRIPTION | MATERIAL | FINISH | QTY |

| | |
|-----------|---|
| Tolerance | X. ±0.1 X.X ±0.15 X.XX ±0.20 Angular ±5° |
| View | |
| UNIT | MM |
| SCALE | 1:1 |

DOSIN -RF CONNECTOR
 Dosin Industrial(H.K)Co.Ltd
 东莞市德索五金电子制品有限公司
 Dosin Hardware Electronics Co.,Ltd

dosin2005@dosin-china.com
 Web:http://www.china-guan.com
 TEL:(0086)769-81153906
 FAX:(0086)769-81875836

Name: BNC CONNECTOR

| | | | |
|---------------|-------------|----------------|-----------------------|
| SIZE A | Product NO. | DOSIN-801-0018 | REV A |
| DateTime | 2018/08/27 | CAD FILE | D/company drawings/BD |
| SHEET: 1 OF 1 | | | |