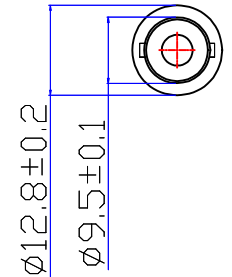
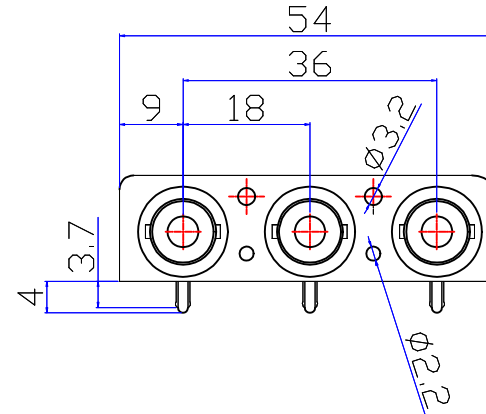
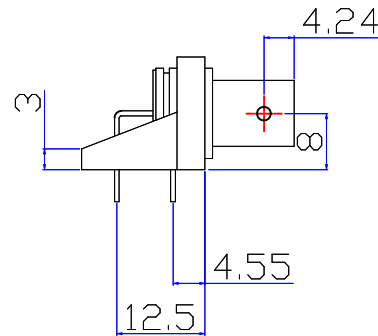
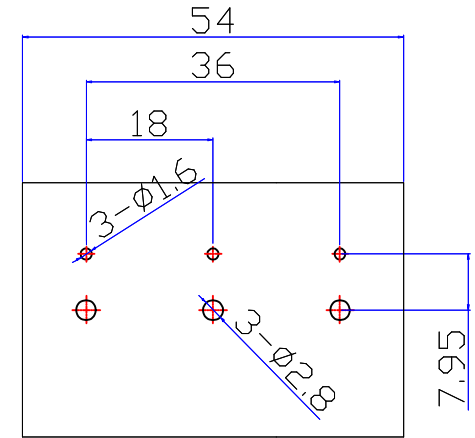
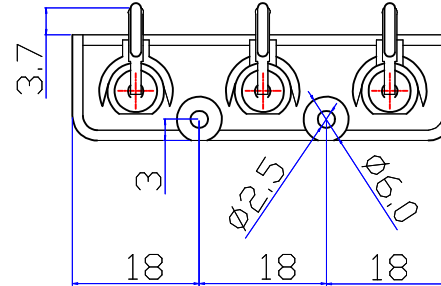
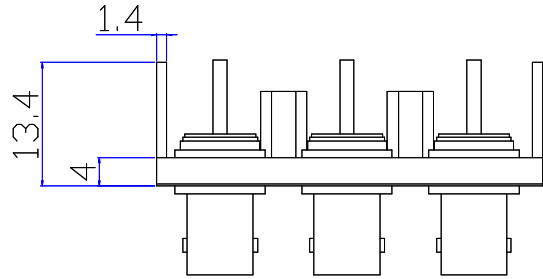


Product NO.	Renhotec-610-0008			
REV	DESCRIPTION	DWN	DATE	APPROVEN
A	First issue	Mr. Wang	2016/3/03	John kine



Specification:

Impedance: 50 Ohms

VSWR:1.3MAX

Frequency range:DC~4G

Working Voltage:500V rms @ sea level

Insulation resistance:5000 Ohms min

Temperature range:-55°C TO +155°C

Relative temperature:≤95%(40° C±2° C)

Drawings products are in line with ROHS standards .

NOTE:

Tolerance

0-6 ±0.10
6-30 ±0.20
30-120 ±0.30
Angular ±2°

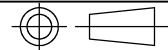


RENHOTEC GROUP

5	Solder column	Iron	NICKEL	3
4	IRON PLATES	Iron	NICKEL	1
3	PANEL	ABS	BLACK	1
2	PIN	BRASS	NICKEL	3
1	BODY	ZINC	NICKEL	3
NO	DESCRIPTION	MATERIAL	FINISH	QTY

DRAWN 2016/03/02
Zelin.Zhang
CHECKED
APPROVALS
John Kine 09.03.2016

View



UNIT

MM

SCALE

1:1

Name: BNC 1X3 CONNECTOR DNN

SIZE A	Product NO. RENHOTEC-610-0008	REV
DateTime	2016/3/02	CAD FILE
D/company drawings/BD		SHEET: 1 OF 1