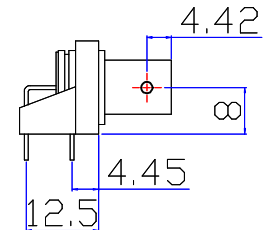
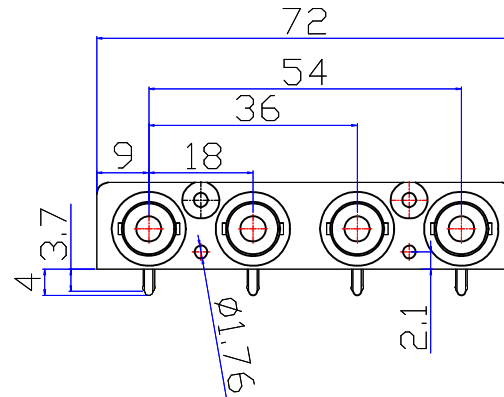
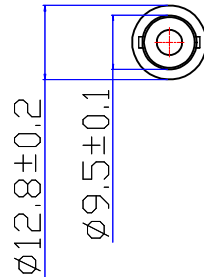
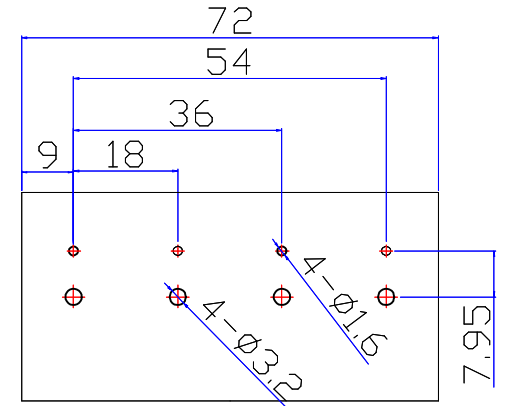
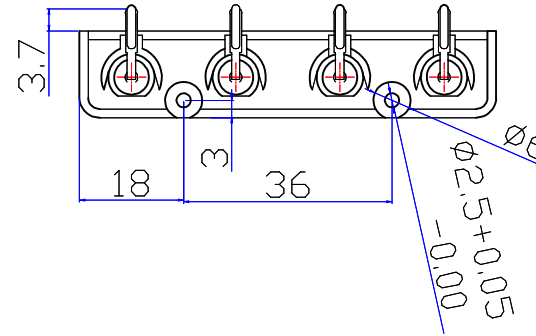
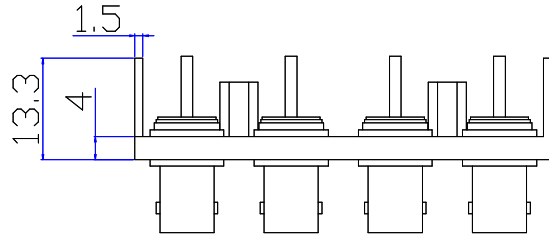




Product NO.	Renhotec-610-0011			
REV	DESCRIPTION	DWN	DATE	APPROVEN
A	First issue	Mr. Wang	2016/3/02	John kine



Specifications

Impedance: 50 Ohms
 Frequency Range: DC~3G
 VSWR: 1.3MAX
 Working Voltage: 500V rms @ sea level
 Insulation Resistance: 5000 Ohms min
 Temperature Range: -55°C TO +155°C
 Relative Temperature: ≤95%(40°C ±2°C)
 Drawings products are in line with ROHS standards

NO	DESCRIPTION	MATERIAL	FINISH	QTY
6	Insulator	POM	-----	4
5	Solder column	Iron	NICKEL	4
4	IRON PLATES	Iron	NICKEL	1
3	PANEL	ABS	BLACK	1
2	PIN	BRASS	NICKEL	4
1	BODY	ZINC	NICKEL	4

NOTE:	
DRAWN	2016/03/02
Zelin. Zhang	
CHECKED	
APPROVALS	09.03.2016
John Kine	

Tolerance	0-6 ±0.10 6-30 ±0.20 30-120 ±0.30 Angular ±2°
View	
UNIT	MM
SCALE	1:1



RENHOTEC GROUP

Name: BNC 1X4 CONNECTOR DGN			
SIZE A	Product NO. RENHOTEC-610-0011	REV	
DateTime	2016/3/02	CAD FILE	D/company drawings/BD
			SHEET: 1 OF 1