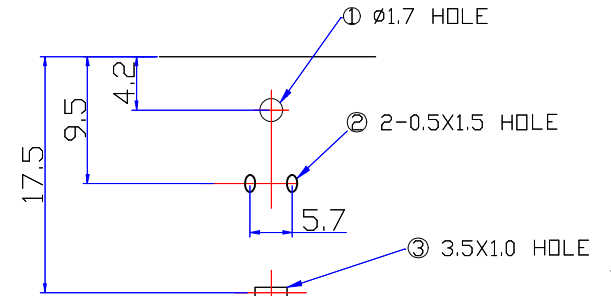
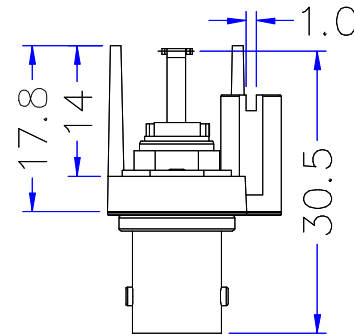
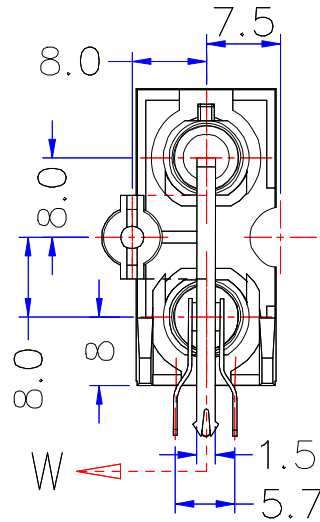
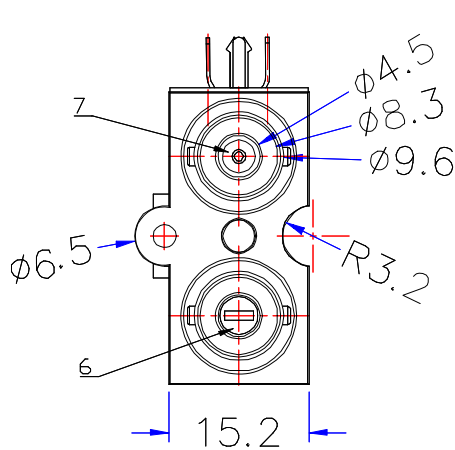
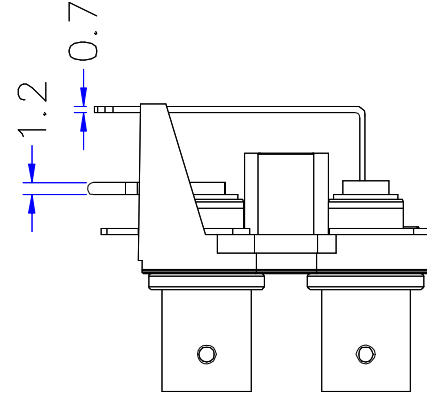
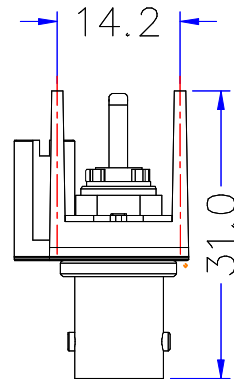
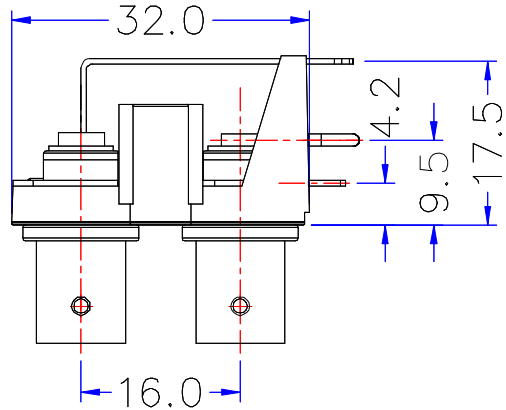




Product NO.	Renhotec-610-0006			
REV	DESCRIPTION	DWN	DATE	APPROVEN
A	First issue	Mr. Wang	2016/3/03	John kine



PCB MTG

7	Insulator	POM	White	1
6	Insulator	Import Pom	White	1
5	Solder column	BRASS	NICKEL	1
4	IRON PLATES	BRASS	NICKEL	1
3	PANEL	ABS	BLACK	1
2	PIN	BRASS	NICKEL	2
1	BODY	ZINC	NICKEL	2
NO	DESCRIPTION	MATERIAL	FINISH	QTY

NOTE:	
DRAWN	2016/03/02
Zelin. Zhang	
CHECKED	
APPROVALS	09.03.2016
John Kine	

Tolerance	0-6	±0.10
	6-30	±0.20
View	30-120	±0.30
	Angular	±2°
UNIT	MM	
SCALE	1:1	



RENHOTEC GROUP

Name: BNC 2x1 SWITH CONNECTOR

SIZE	Product NO. RENHOTEC-610-0006	REV
A		B
DateTime	CAD FILE	SHEET: 1 OF 1
2016/3/02	D/company drawings/BD	