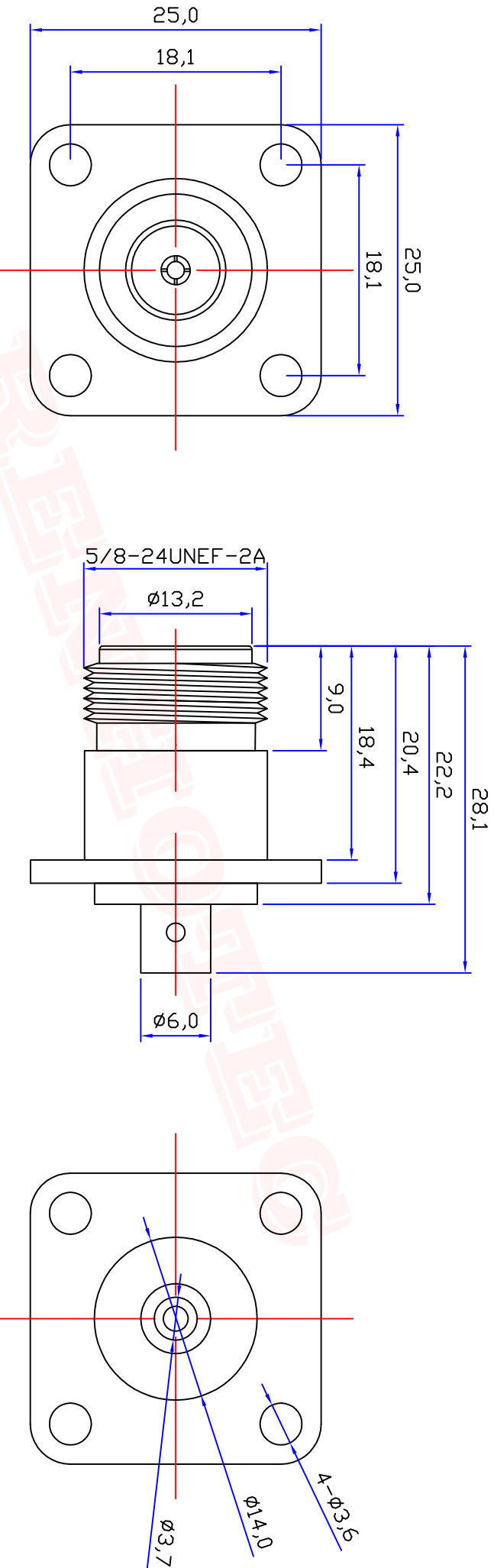




Product NO.		RHT-614-0231	
REV	DESCRIPTION	DMN	DATE
A	First issue	Gavin	2018/03/12
			APPROVEN
			JIM.KING



Specifications
 Impedance: 50 Ohms
 Frequency Range: 0-11G
 VSWR: 1.3MAX
 Working Voltage: 1000 VRMS (max at sea level)
 Dielectric Withstanding Voltage: 1500 vrms (max at sea level)
 Insulation Resistance: 5000 Ohms min
 Durability Mating: 500 Cycles min
 Temperature Range: -65°C To +165°C

3	PIN	BRASS	GOLD	1
2	INSULATION	TEFLON	WHITE	1
1	BODY	BRASS	NICKEL	1
NO	DESCRIPTION	MATERIAL	FINISH	QTY
1				

-TOLERANCES- UNLESS OTHERWISE SPECIFIED			
UNLESS OTHERWISE SPECIFIED TOLERANCES FOR MILLIMETERS ARE:		RENHOTEC GROUP PART DESCRIPTION: N JACK F0E RG187 CABLE	
0.5 - 8mm	± 0.20mm	Appd:	JIM.KING
8 - 30mm	± 0.40mm	Check:	
30 - 120mm	± 0.50mm	Draw:	Gavin
		P/N:	RHT-614-0231
		Date	2018/03/12
		Scale	Free
		Unit	MM
		Type	Z
		Page	1/1