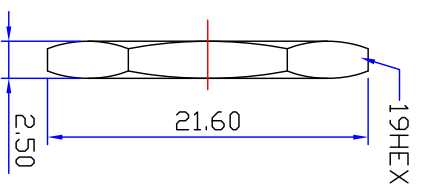
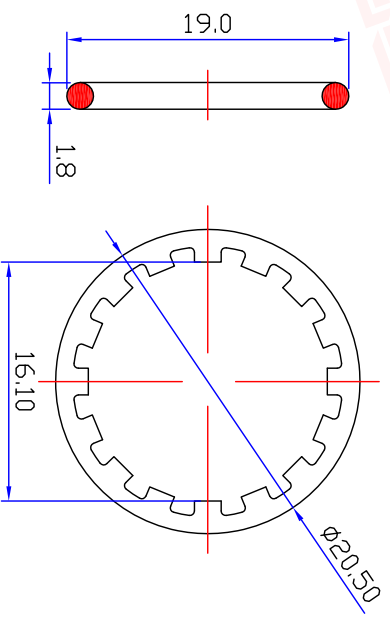
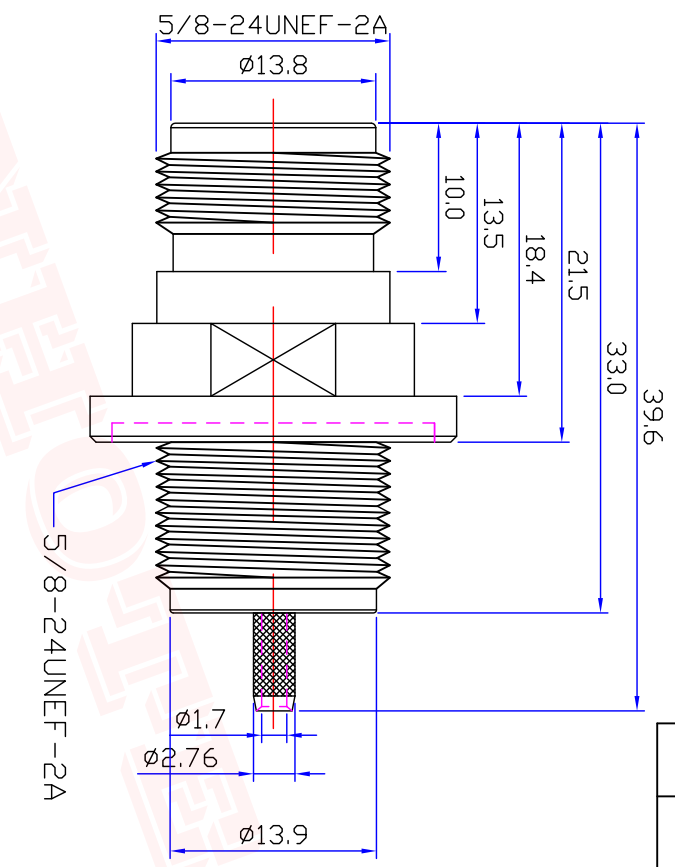
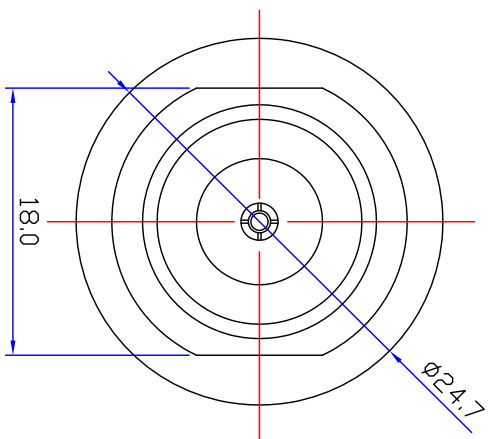




Product NO.		RHT-614-0212	
REV	DESCRIPTION	DWN	DATE
A	First Issue	Gavin	2018/03/12
			APPROVEN
			JIM.KING



Specifications
 Impedance: 50 Ohms
 Frequency Range: 0-11G
 VSWR: 1.3MAX
 Working Voltage: 1000 VRMS(max at sea level)
 Dielectric Withstanding Voltage: 1500 vrms(max at sea level)
 Insulation Resistance: 5000 Ohms min
 Durability Mating: 500 Cycles min
 Temperature Range: -65°C TO +165°C

NO	DESCRIPTION	MATERIAL	FINISH	QTY
6	NUT	BRASS	NICKEL	1
5	GASKET	BRASS	NICKEL	1
4	O-RING	EPDM	RED	1
3	PIN	BRASS	GOLD	1
2	INSULATION	TEFLON	WHITE	1
1	BODY	BRASS	NICKEL	1

-TOLERANCES-
UNLESS OTHERWISE
SPECIFIED



RENHOTECH GROUP

PART DESCRIPTION: N JACK FOR RG316 CABLE

Appd: JIM.KING	P/N: RHT-614-0212	Date	Scale	Unit	Type	Page
Check:		2018/03/12	Free	MM	Z	1/1
Draw: Gavin						

UNLESS OTHERWISE SPECIFIED
 TOLERANCES FOR MILLIMETERS ARE:
 0.5 - 30mm ± 0.20mm
 30 - 120mm ± 0.30mm