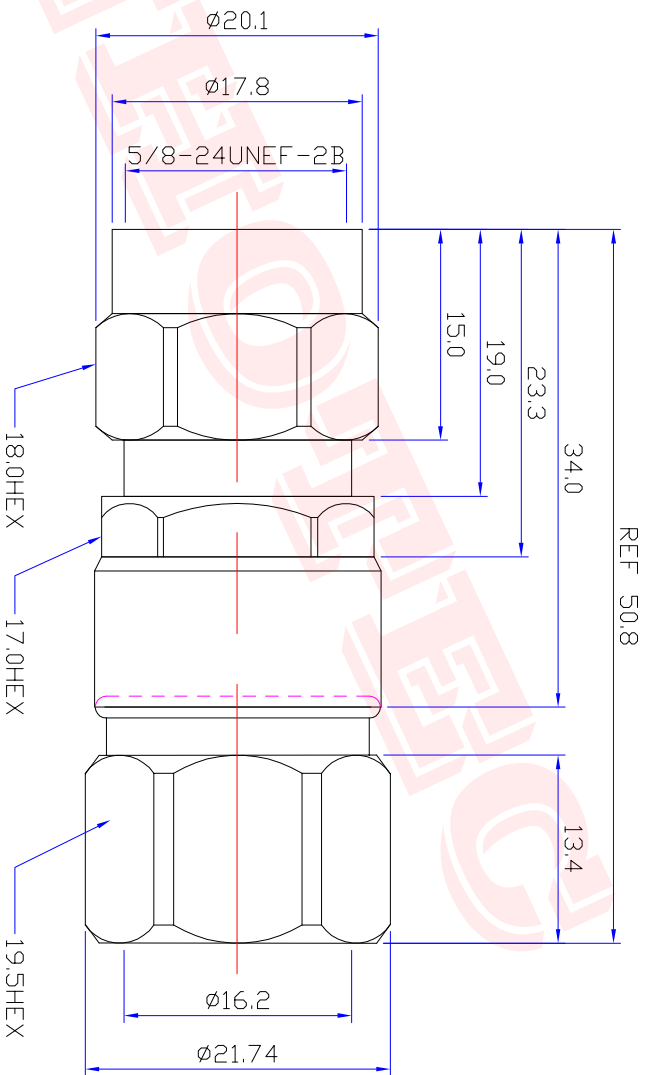
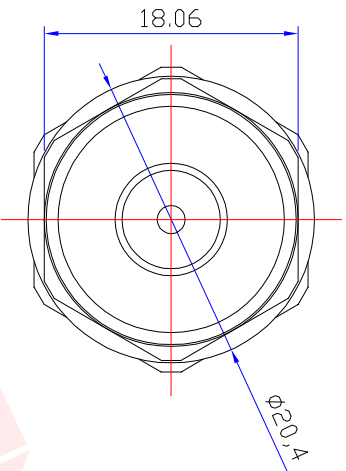




Product NO.		RHT-614-0218	
REV	DESCRIPTION	DMN	DATE
A	First issue	Gavin	2018/03/12
			APPROVEN
			JIM. KING



Specifications  
 Impedance: 50 Ohms  
 Frequency Range: 0-6G  
 VSWR: 1.5MAX  
 Working Voltage: 1000 VRMS (max at sea level)  
 Dielectric Withstanding Voltage: 1500 vrms (max at sea level)  
 Insulation Resistance: 5000 MOhms min  
 Durability Mating: 500 Cycles min  
 Temperature Range: -55°C TO +165°C

3	PLN	BRASS	GOLD	1
2	INSUKATON	TEFLON	RED	1
1	BODY	BRASS	NICKEL	1
NO	DESCRIPTION	MATERIAL	FINISH	QTY

-TOLERANCES- UNLESS OTHERWISE SPECIFIED				<b>RENHOTECH</b> <a href="http://www.renhotech.com">www.renhotech.com</a>		<b>RENHOTECH GROUP</b> PART DESCRIPTION: N PLUG FOR 1/2" CABLE	
UNLESS OTHERWISE SPECIFIED TOLERANCES FOR MILLIMETERS ARE: 0.5 - 8mm ± 0.20mm 8 - 30mm ± 0.40mm 30 - 120mm ± 0.50mm		Appd: JIM KING		P/N: RHT-614-0218		Date	
		Check:		Scale		Unit	
		Draw: Gavin		2018/03/12		Free	
				MM		Z	
						Page	
						1/1	