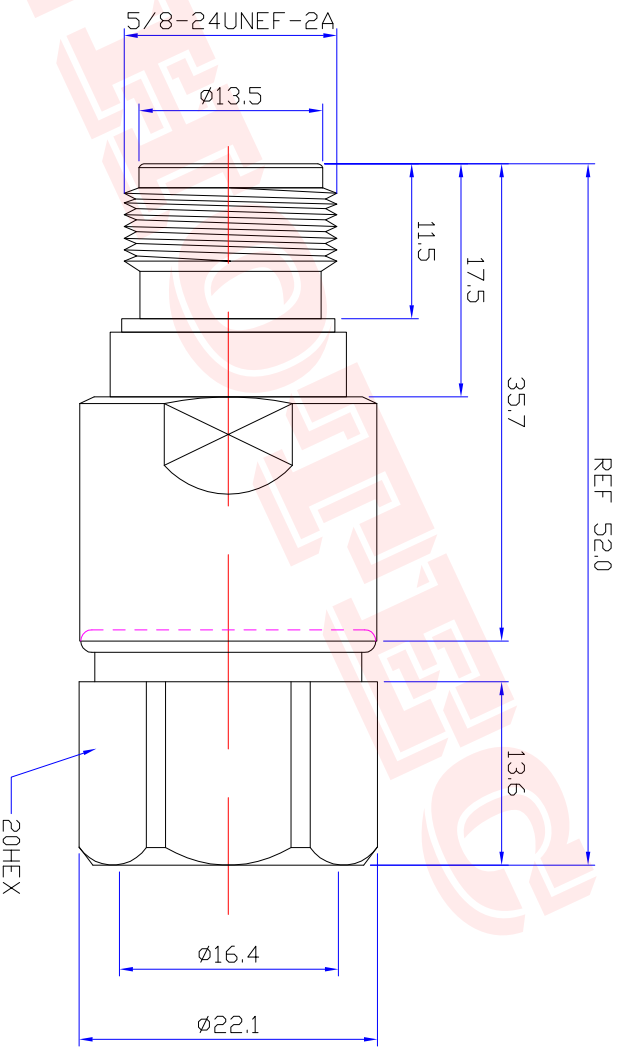
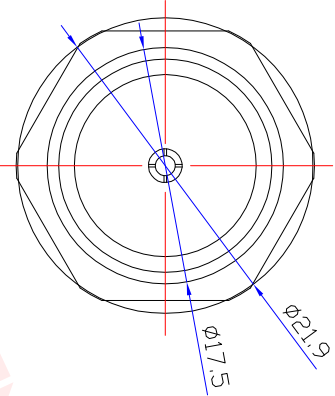




Product NO.		RHT-614-0214	
REV	DESCRIPTION	DMN	DATE
A	First issue	Gavin	2018/03/12
			APPROVEN
			JIM.KING



Specifications  
 Impedance: 50 Ohms  
 Frequency Range: 0-6G  
 VSWR: 1.5MAX  
 Working Voltage: 1000 VRMS (max at sea level)  
 Dielectric Withstanding Voltage: 1500 vrms (max at sea level)  
 Insulation Resistance: 5000 MOhms min  
 Durability Mating: 500 Cycles min  
 Temperature Range: -55°C T0 +165°C

NO	DESCRIPTION	MATERIAL	FINISH	QTY
4	0-RING	EPDM	RED	1
3	PTN	BRASS	GOLD	1
2	INSUKATON	TEFLON	WHITE	1
1	BODY	BRASS	NICKEL	1

-TOLERANCES- UNLESS OTHERWISE SPECIFIED				<b>RENHOTECH</b> <a href="http://www.renhotech.com">www.renhotech.com</a>		<b>RENHOTECH GROUP</b>	
UNLESS OTHERWISE SPECIFIED TOLERANCES FOR MILLIMETERS ARE: 0.5 - 8mm ± 0.20mm 8 - 30mm ± 0.40mm 30 - 120mm ± 0.50mm		Appd: JIM KING Check: Draw: Gavin		PART DESCRIPTION: N JACK FOR 1/2" CABLE		P/N: RHT-614-0214 Date: 2018/03/12 Scale: Free Unit: MM Type: Z Page: 1/1	