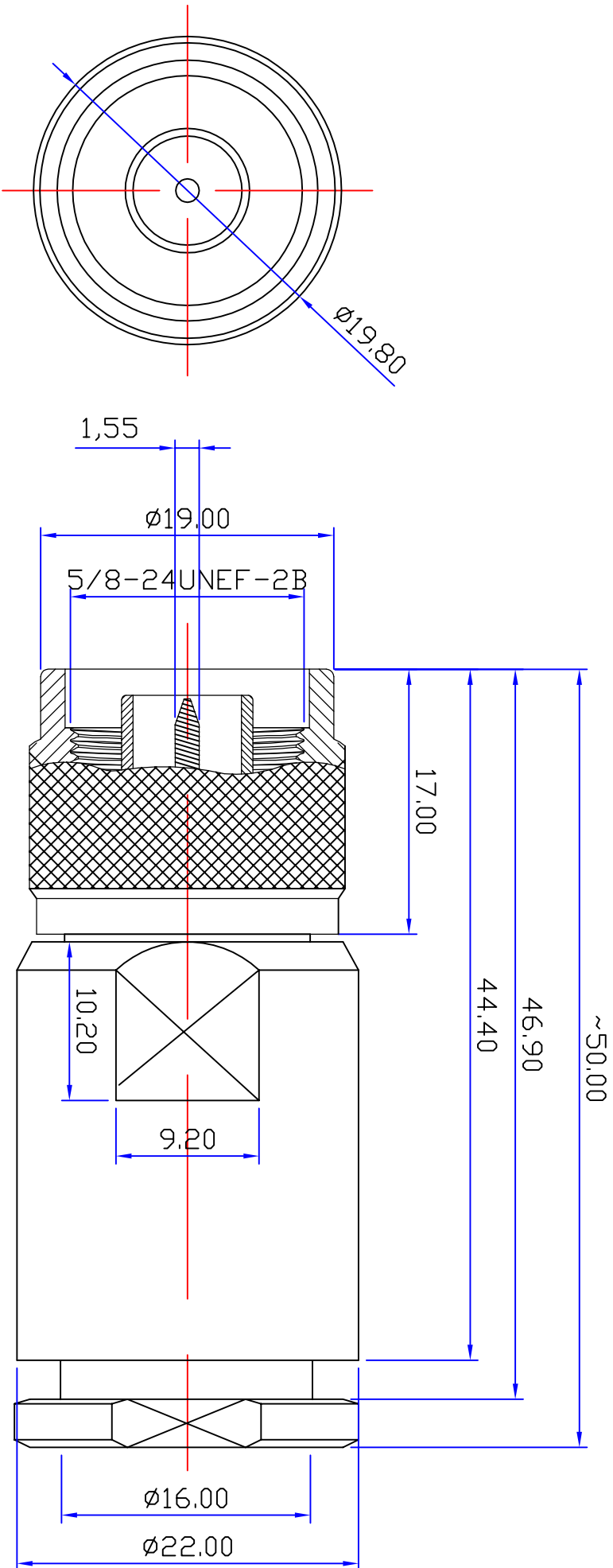




Product NO.		RHT-614-0220	
REV	DESCRIPTION	DMN	DATE
A	First issue	Gavin	2018/03/12
			APPROVEN
			JIM KING



Specifications
 Impedance: 50 Ohms
 Frequency Range: 0-6G
 VSWR: 1.3MAX
 Working Voltage: 1000 VRMS (max at sea level)
 Dielectric Withstanding Voltage: 1500 vrms (max at sea level)
 Insulation Resistance: 5000 Ohms min
 Durability Mating: 500 Cycles min
 Temperature Range: -65°C TO +165°C

3	PLN	BRASS	GOLD	1
2	INSUKATON	PTFE	NONE	1
1	BODY	BRASS	NIACEL	1
NO	DESCRIPTION	MATERIAL	FINISH	QTY

-TOLERANCES- UNLESS OTHERWISE SPECIFIED		Appd: JIM KING Check:		RENHOTEC www.renhotec.com		RENHOTEC GROUP PART DESCRIPTION: N PLUG FOR LMR600 CABLE	
UNLESS OTHERWISE SPECIFIED TOLERANCES FOR MILLIMETERS ARE: 0.5 - 8mm ± 0.20 mm 8 - 30mm ± 0.40 mm 30 - 120mm ± 0.50 mm		P/N: RHT-614-0220 Date: 2018/03/12		Scale: Free Unit: MM		Type: Z Page: 1/1	