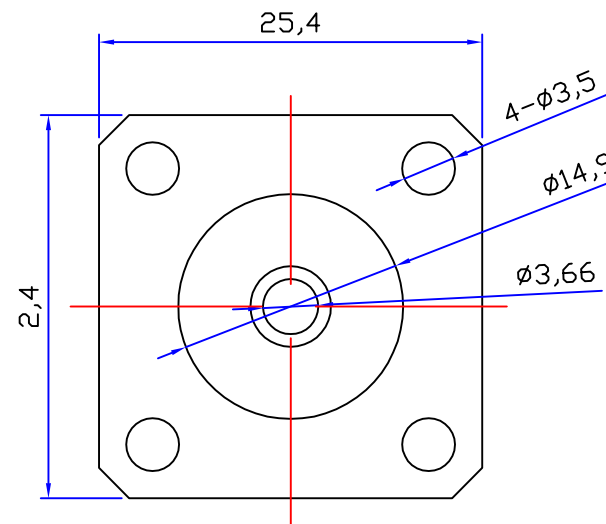
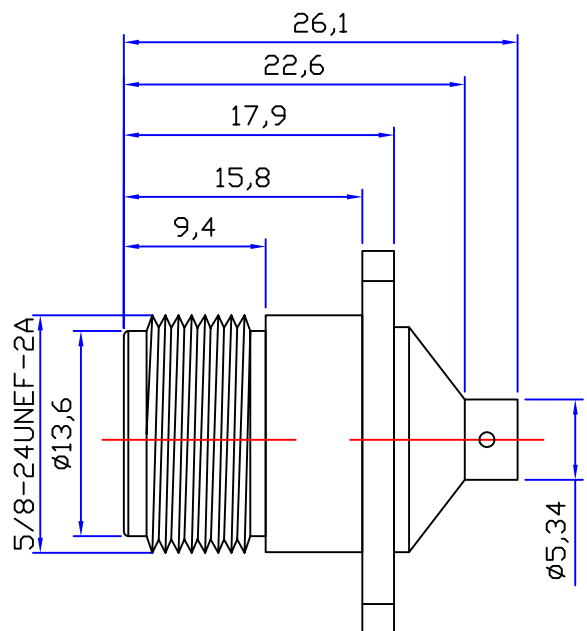
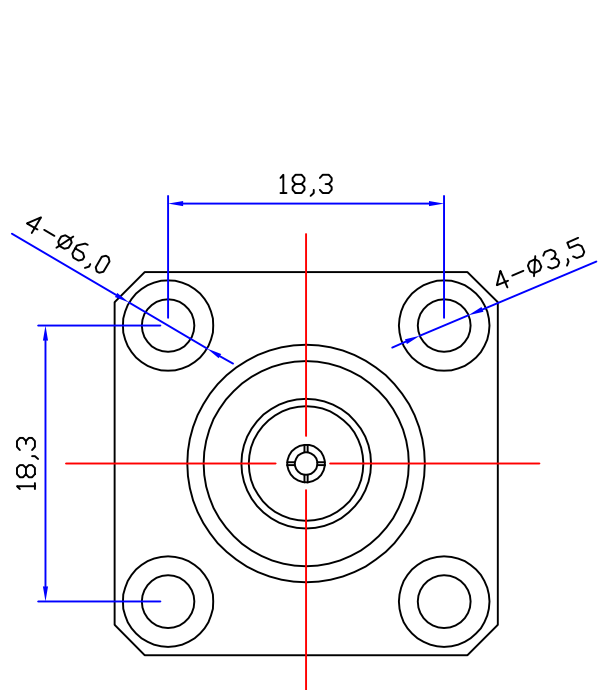




| | | | | | |
|-------------|-------------|--------------|------------|----------|--|
| Product NO. | | RHT-614-0228 | | | |
| REV | DESCRIPTION | DWN | DATE | APPROVEN | |
| A | First issue | Gavin | 2018/03/12 | JIM.KING | |



Specifications

Impedance: 50 Ohms

Frequency Range:0-6G

VSWR:1.5MAX

Working Voltage:1000 VRMS(max at sea level)

Dielectric Withstanding Voltage:1500 vrms(max at sea level)

Insulation Resistance:5000 MOhms min

Durability Mating:500 Cycles min

Temperature Range:-65°C TO +165°C

| | | | | |
|----|-------------|----------|--------|-----|
| 3 | PIN | BRASS | GOLD | 1 |
| 2 | INSUKATON | PTFE | NONE | 1 |
| 1 | BODY | BRASS | NICKEL | 1 |
| NO | DESCRIPTION | MATERIAL | FINISH | QTY |

| | | | | | |
|--|---|-------------------|------|------|------|
| -TOLERANCES- UNLESS OTHERWISE SPECIFIED | RENHOTEC GROUP | | | | |
| | PART DESCRIPTION: N JACK FOR RG402 CABLE | | | | |
| UNLESS OTHERWISE SPECIFIED TOLERANCES FOR MILLIMETERS ARE: 0.5 - 8mm ± 0.20mm 8 - 30mm ± 0.40mm 30 -120mm ± 0.50mm | Appd: JIM.KING | P/N: RHT-614-0228 | | | |
| Check: | Date | Scale | Unit | Type | Page |
| Draw: Gavin | 2018/03/12 | Free | MM | Z | 1/1 |