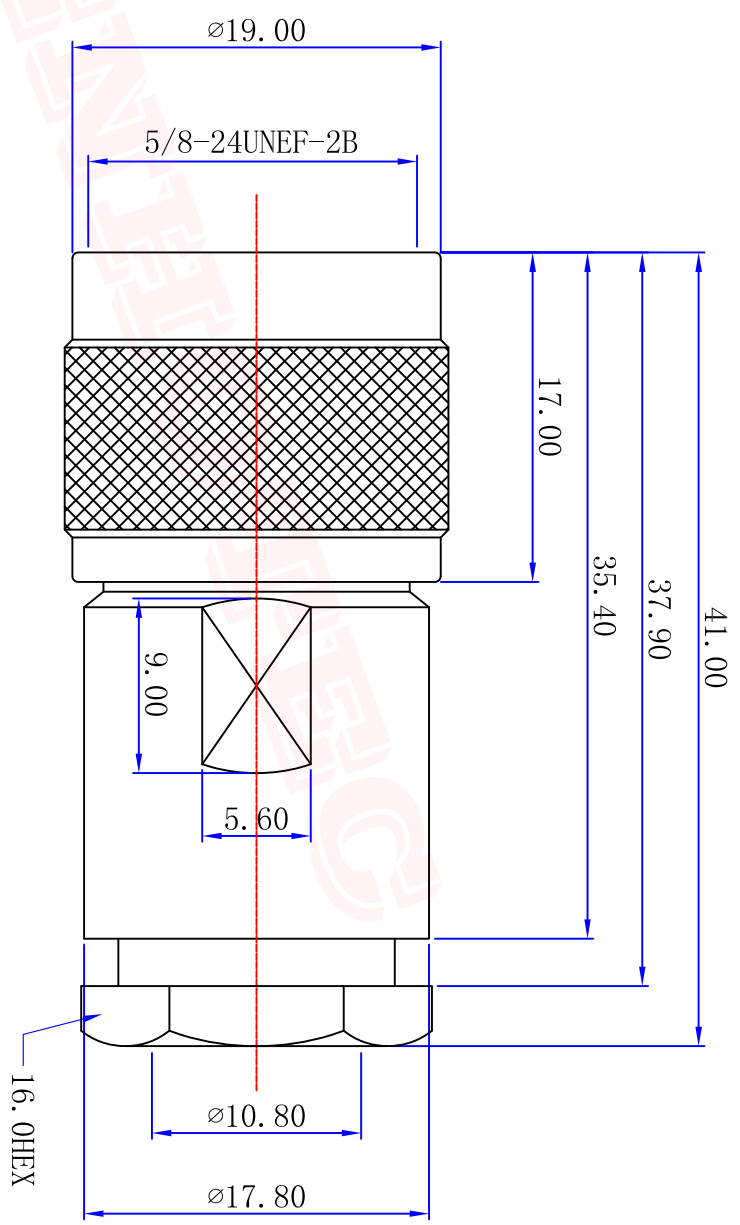
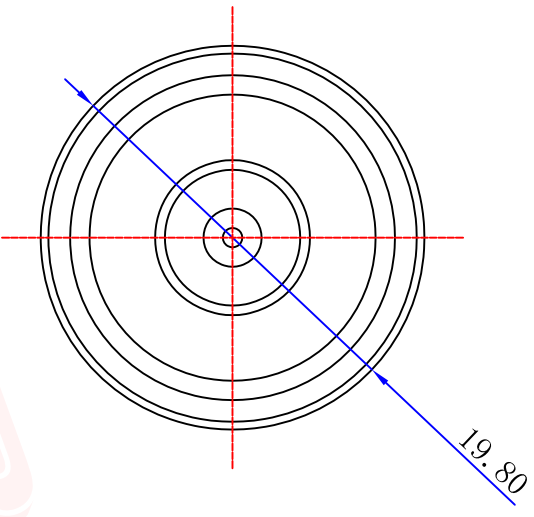




Product NO.		RHT-614-0197			
REV	DESCRIPTION	DWN	DATE	APPROVEN	
A	First Issue	Gavin	2018/03/12	JIM KING	
B	First Issue	Gavin	2019/05/15	JIM KING	



Specifications
 Impedance: 50 Ohms
 Frequency Range: 0-6G
 VSWR: 1.5MAX
 Working Voltage: 1000 VRMS (max at sea level)
 Dielectric Withstanding Voltage: 1500 vrms (max at sea level)
 Insulation Resistance: 5000 Ohms min
 Durability Mating: 500 Cycles min
 Temperature Range: -65°C TO +165°C

NO	DESCRIPTION	MATERIAL	FINISH	QTY
3	PIN	BRASS	GOLD	1
2	INSULATOR	PTED	WHITE	1
1	BOOY	BRASS	NICKEL	1

-TOLERANCES-
UNLESS OTHERWISE
SPECIFIED

RENHOTEC
www.renhotec.com

RENHOTEC GROUP

PART DESCRIPTION:
N PLUG FOR LMR400/RG8 CABLE

Appd: JIM KING P/N: RHT-614-0197

Check: Date Scale Unit Type Page

Draw: Gavin 2019.05.15 Free MM Z 1/1

UNLESS OTHERWISE SPECIFIED
 TOLERANCES FOR MILLIMETERS ARE:
 0.5 - 8mm ± 0.20mm
 8 - 30mm ± 0.25mm
 30 - 120mm ± 0.30mm

1	2	3	4	5	6
---	---	---	---	---	---