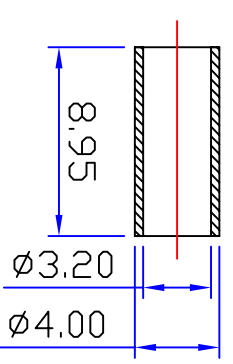
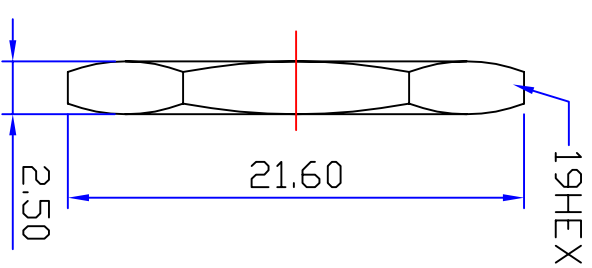
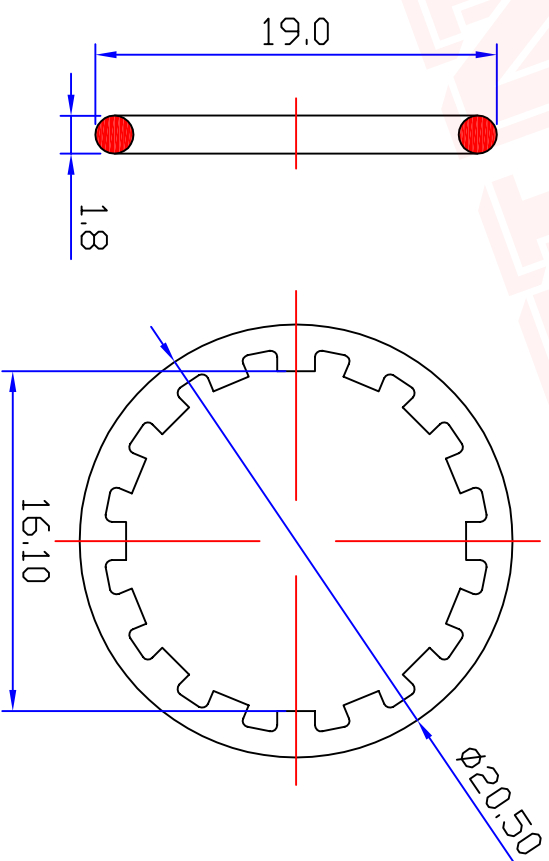
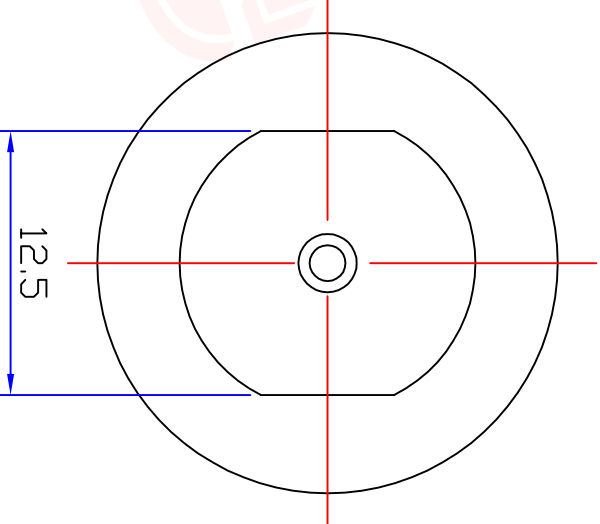
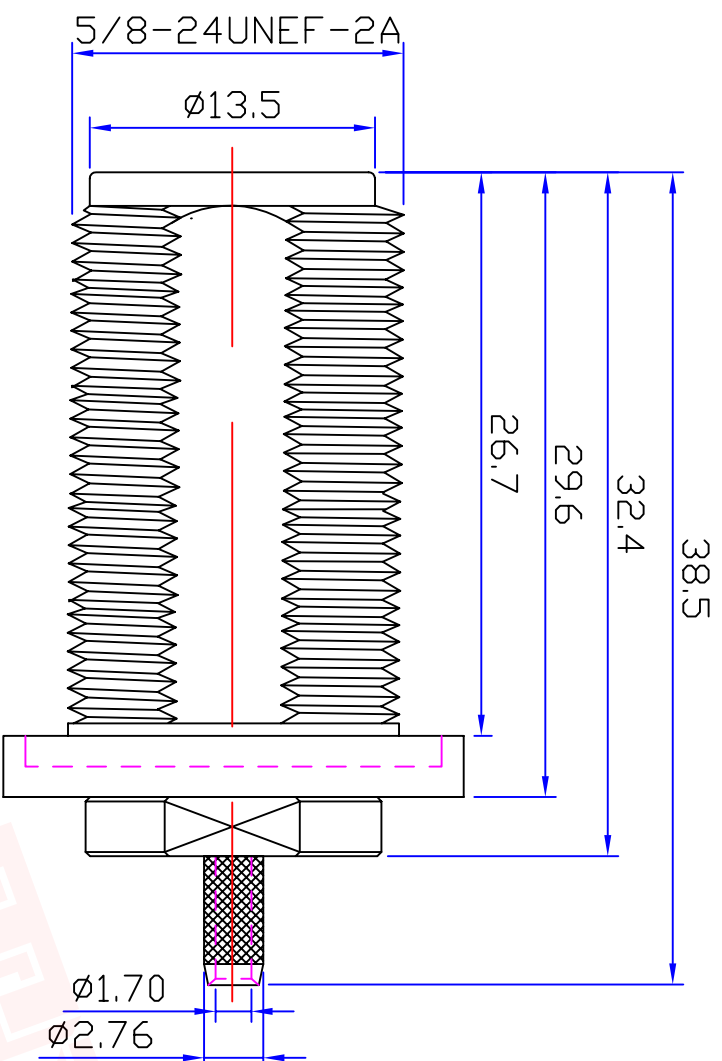
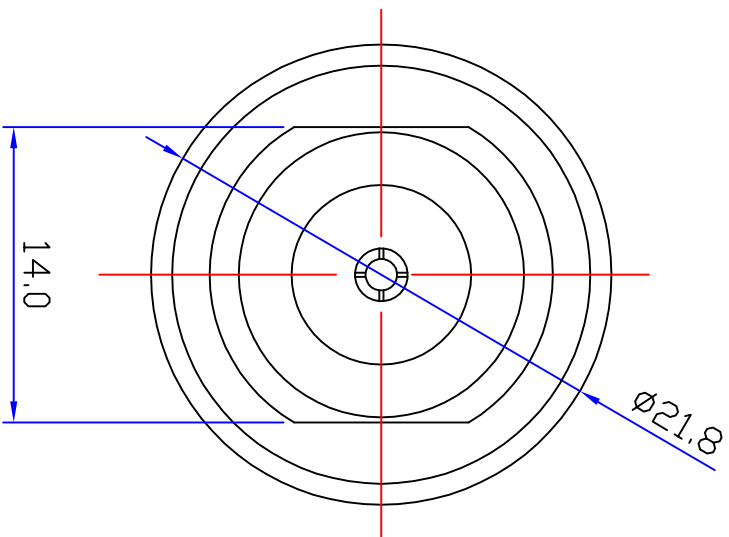




Product NO.		RHT-614-0210	
REV	DESCRIPTION	DWN	DATE
A	First Issue	Gavin	2018/03/12
			APPROVEN
			JIM. KING



**Specifications**  
 Impedance: 50 Ohms  
 Frequency Range: 0-11G  
 VSWR: 1.3MAX  
 Working Voltage: 1000 VRMS (max at sea level)  
 Dielectric Withstanding Voltage: 1500 vrms (max at sea level)  
 Insulation Resistance: 5000 Ohms min  
 Durability Mating: 500 Cycles min  
 Temperature Range: -65°C T0 +165°C

7	CASING	BRASS	NICKEL	1
6	NUT	BRASS	NICKEL	1
5	GASKET	BRASS	NICKEL	1
4	O-RING	EPPM	RED	1
3	PIN	BRASS	GOLD	1
2	INSUKATON	TEFLON	WHITE	1
1	BODY	BRASS	NICKEL	1
NO	DESCRIPTION	MATERIAL	FINISH	QTY

-TOLERANCES-  
 UNLESS OTHERWISE  
 SPECIFIED

UNLESS OTHERWISE SPECIFIED  
 TOLERANCES FOR MILLIMETERS ARE:  
 0.5 - 8mm ± 0.20mm  
 8 - 30mm ± 0.40mm  
 30 - 120mm ± 0.50mm

**RENHOTECH**  
 www.renhotec.com

**RENHOTECH GROUP**

Appd: JIM. KING	P/N: RHT-614-0210	PART DESCRIPTION: N JACK FOR RG316 CABLE	
Check:	Date	Scale	Unit
Draw: Gavin	2018/03/12	Free	MM
			Type
			Page
			1/1