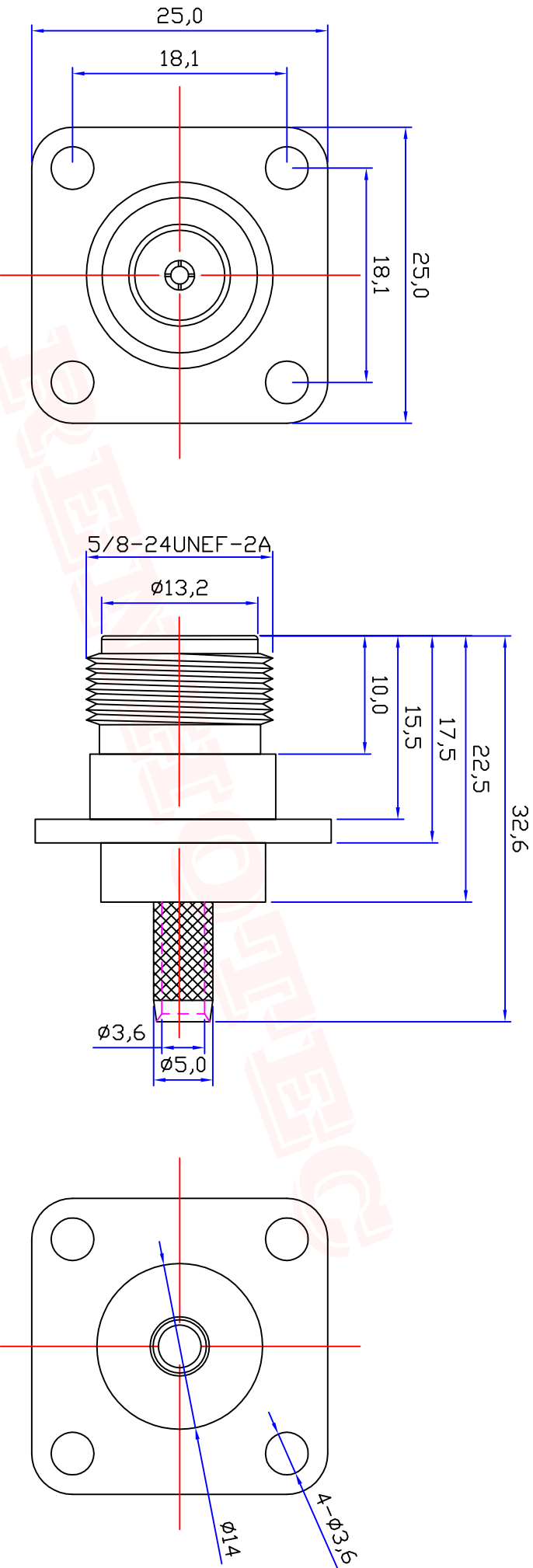




Product NO.		RHT-614-0232	
REV	DESCRIPTION	DMN	DATE
A	First issue	Gavin	2018/03/12
			APPROVEN
			JIM.KING



Specifications  
 Impedance: 50 Ohms  
 Frequency Range: 0-11G  
 VSWR: 1.3MAX  
 Working Voltage: 1000 VRMS (max at sea level)  
 Dielectric Withstanding Voltage: 1500 vrms (max at sea level)  
 Insulation Resistance: 5000 Ohms min  
 Durability Mating: 500 Cycles min  
 Temperature Range: -65°C To +165°C

3	PIN	BRASS	GOLD	1
2	INSULATION	TEFLON	WHITE	1
1	BODY	BRASS	NICKEL	1
NO	DESCRIPTION	MATERIAL	FINISH	QTY
1				

-TOLERANCES- UNLESS OTHERWISE SPECIFIED			
SPECIFIED		<b>RENHOTEC GROUP</b>	
UNLESS OTHERWISE SPECIFIED TOLERANCES FOR MILLIMETERS ARE: 0.5 - 8mm ± 0.20mm 8 - 30mm ± 0.40mm 30 - 120mm ± 0.50mm		PART DESCRIPTION: N JACK FOR RG58 CABLE	
Appd:	JIM.KING	P/N:	RHT-614-0232
Check:		Date	
Draw:	Gavin	2018/03/12	
Scale	Free	Unit	MM
Type	Z	Page	1/1