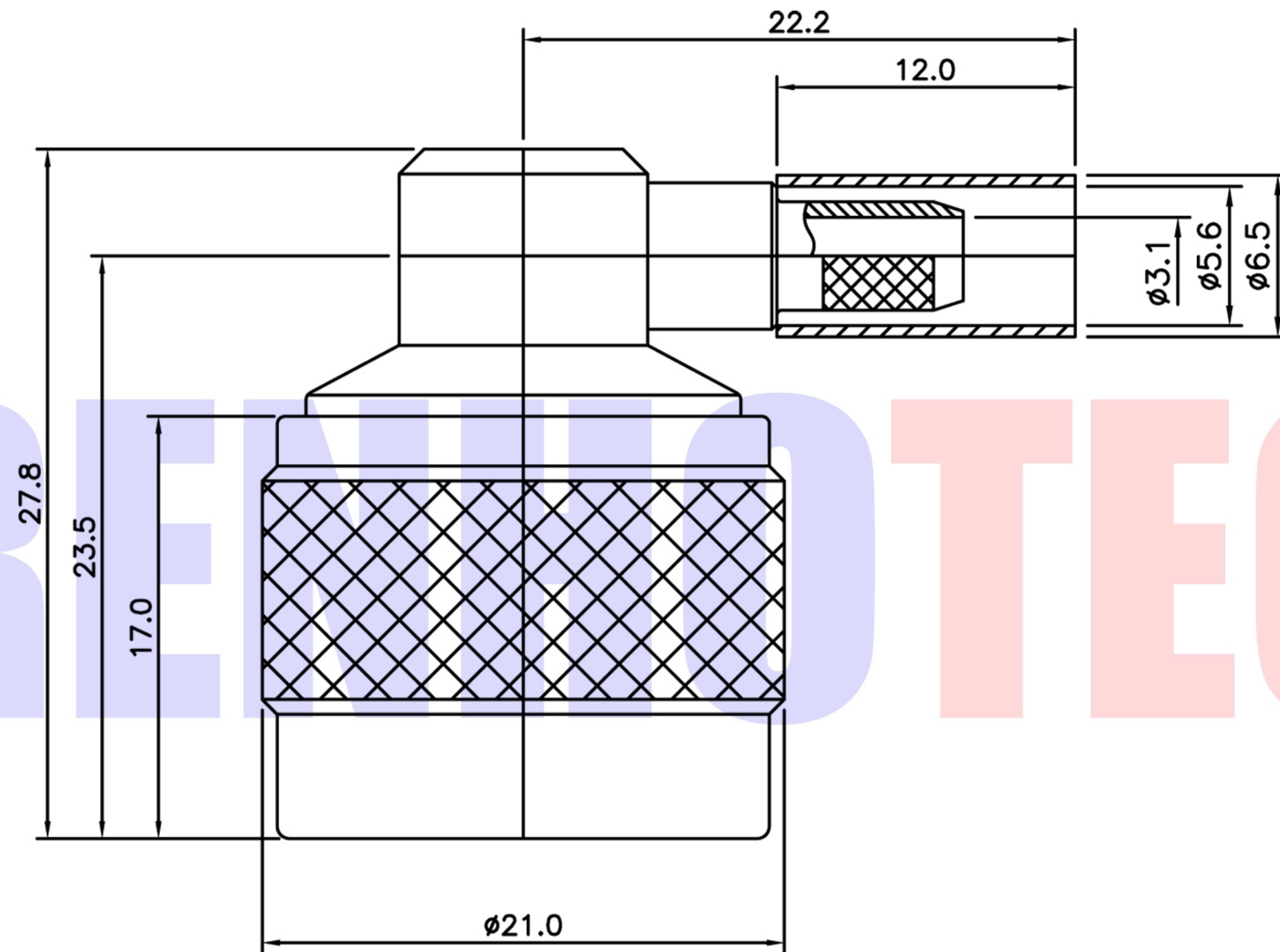




Product NO.	Renhotec-614-0119			
REV	DESCRIPTION	DWN	DATE	APPROVEN
A	First issue	Mr. Wang	2017/2/27	John kine



RENHOTEC

Item	Materials	Plating
Body	Brass	Nickel Plated
Coupling Cap	Brass	Nickel Plated
Center contact	Brass	Gold Plated
Insulator	PTFE	—
Seal	Silicon rubber	—

NOTE:		Tolerance	0-6	±0.10
DRAWN Zelin. Zhang 2017/2/27			6-30	±0.20
CHECKED		View	30-120	±0.30
APPROVALS <i>John Kine</i> 2017/2/27			Angular	±2°
		UNIT	MM	
		SCALE	1:1	



**RENHOTEC GROUP**

Name: N Type R/A Plug for Cable RG400			
SIZE A	Product NO. RHT-614-0119	REV A	
DateTime 2017/2/27	CAD FILE D/company drawings/BD	SHEET: 1 OF 1	