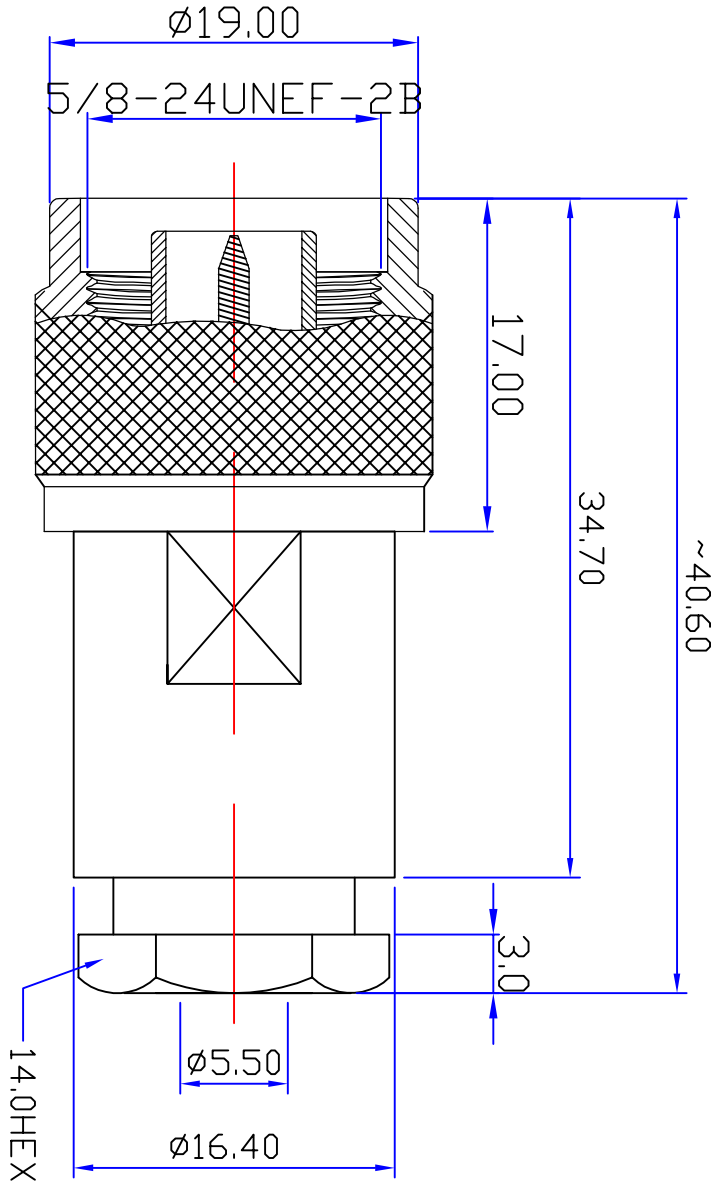
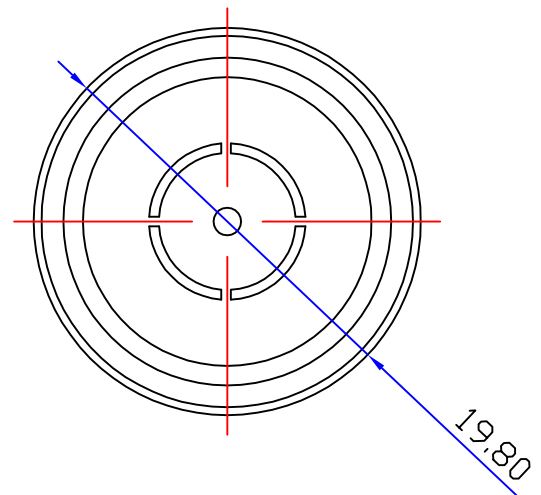




Product NO.		RHT-614-0200	
REV	DESCRIPTION	DMN	DATE
A	First issue	Gavin	2018/03/12
			APPROVEN
			JIM KING



Specifications
 Impedance: 50 Ohms
 Frequency Range: 0-6G
 VSWR: 1.5MAX
 Working Voltage: 1000 VRMS (max at sea level)
 Dielectric Withstanding Voltage: 1500 vrms (max at sea level)
 Insulation Resistance: 5000 Ohms min
 Durability Mating: 500 Cycles min
 Temperature Range: -65°C TO +165°C

3	PLN	BRASS	GOLD	1
2	INSUKATON	PTFE	NONE	1
1	BODY	BRASS	NICKEL	1
NO	DESCRIPTION	MATERIAL	FINISH	QTY

-TOLERANCES- UNLESS OTHERWISE SPECIFIED		 RENHOTECH GROUP www.renhotec.com	
UNLESS OTHERWISE SPECIFIED TOLERANCES FOR MILLIMETERS ARE: 0.5 - 8mm ± 0.20mm 8 - 30mm ± 0.25mm 30 - 120mm ± 0.30mm		PART DESCRIPTION: N PLUG FOR RG58 CABLE	
Appd: JIM KING	P/N: RHT-614-0200	Date	Scale
Check:		2018/03/12	Free
Draw: Gavin			
		Unit	Type
		MM	Z
		Page	1/1