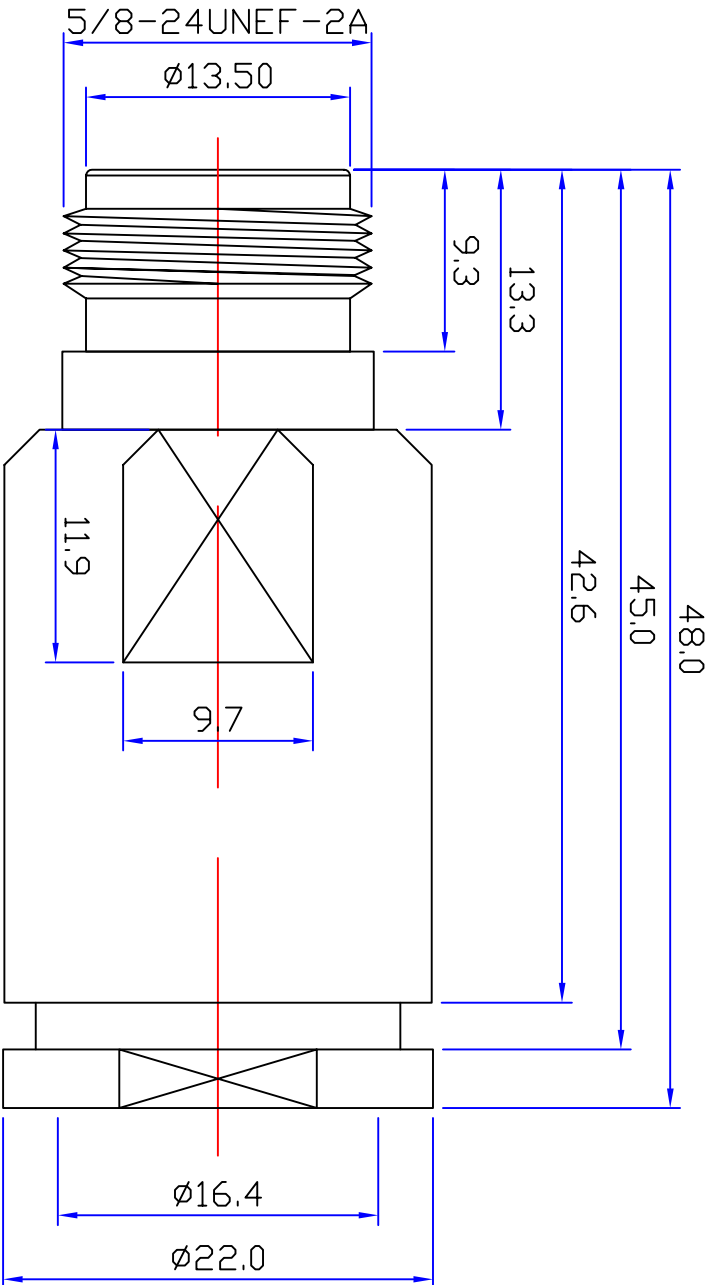
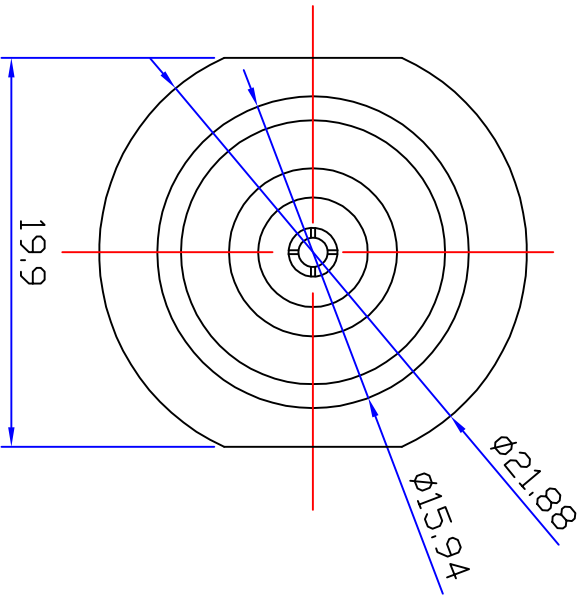




Product NO.		RHT-614-0219	
REV	DESCRIPTION	DMN	DATE
A	First Issue	Gavin	2018/03/12
			APPROVEN
			JIM.KING



Specifications
 Impedance: 50 Ohms
 Frequency Range: 0-11G
 VSWR: 1.3MAX
 Working Voltage: 1000 VRMS (max at sea level)
 Dielectric Withstanding Voltage: 1500 vrms (max at sea level)
 Insulation Resistance: 5000 Ohms min
 Durability Mating: 500 Cycles min
 Temperature Range: -65°C T0 +165°C

3	PIN	BRASS	GOLD	1
2	INSULATON	TEFLON	WHITE	1
1	BODY	BRASS	NICKEL	1
NO	DESCRIPTION	MATERIAL	FINISH	QTY

-TOLERANCES- UNLESS OTHERWISE SPECIFIED		Appd: JIM KING		P/N: RHT-614-0219	
UNLESS OTHERWISE SPECIFIED TOLERANCES FOR MILLIMETERS ARE: 0.5 - 8mm ± 0.20mm 8 - 30mm ± 0.40mm 30 - 120mm ± 0.50mm		Check: Gavin		Date: 2018/03/12	
Draw: Gavin		Scale: Free		Unit: MM	
		Free		Type: Z	
				Page: 1/1	

RENHOTECH GROUP

PART DESCRIPTION:
N JACK FOR LMR600 CABLE