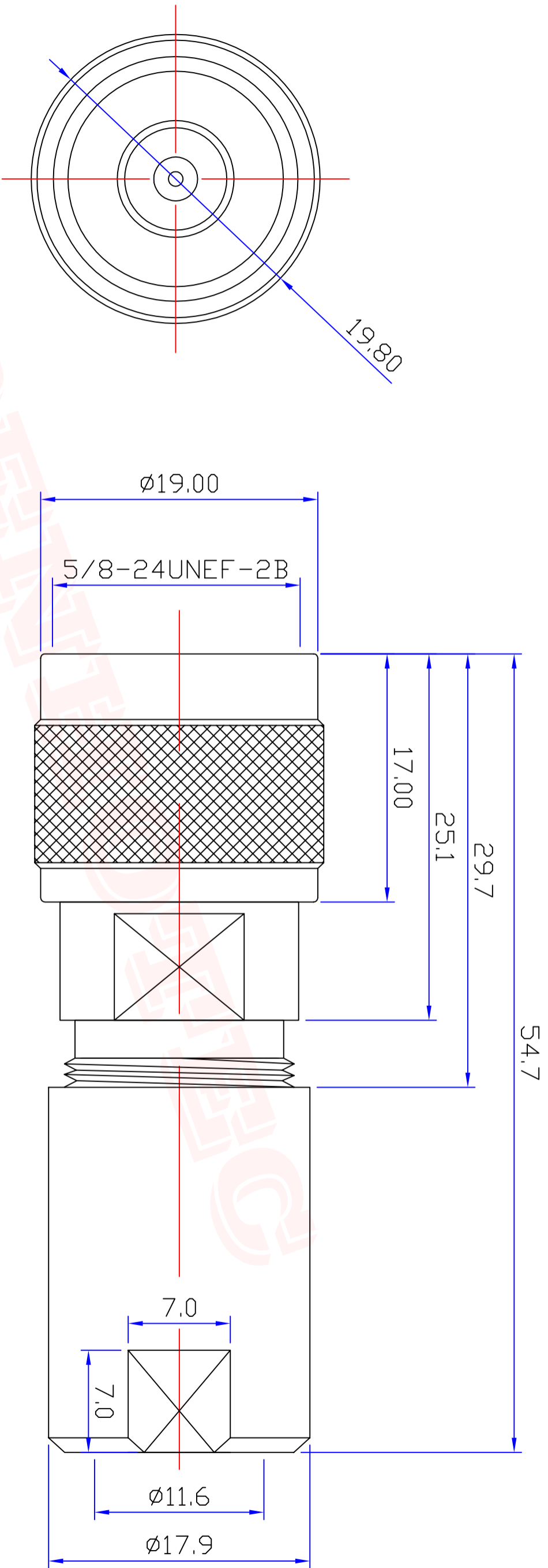




Product NO.		RHT-614-0201	
REV	DESCRIPTION	DWN	DATE
A	First Issue	Gavin	2018/03/12
			APPROVEN
			JIM. KING



**Specifications**

- Impedance: 50 Ohms
- Frequency Range: 0-11G
- VSWR: 1.3MAX
- Working Voltage: 1000 VRMS(max at sea level)
- Dielectric Withstanding Voltage: 1500 vrms(max at sea level)
- Insulation Resistance: 5000 Ohms min
- Durability Mating: 500 Cycles min
- Temperature Range: -65°C TO +165°C

3	PIN	BRASS	GOLD	1
2	INSUKATON	TEFLON	RED	1
1	BODY	BRASS	NICKEL	1
NO	DESCRIPTION	MATERIAL	FINISH	QTY

**RENHOTECH GROUP**

PART DESCRIPTION: N PLUG FOR RG9 CABLE

P/N: RHT-614-0201

Appd: JIM. KING

Check: Gavin

Date: 2018/03/12

Scale: Free

Unit: MM

Type: Z

Page: 1/1

UNLESS OTHERWISE SPECIFIED TOLERANCES FOR MILLIMETERS ARE:  
 0.5 - 8mm ± 0.20mm  
 8 - 30mm ± 0.40mm  
 30 - 120mm ± 0.50mm